

The Crafter chassis cab Brochure



Commercial
Vehicles

Ready for the toughest jobs.

- Robust design, technologies and driver assistance systems.
- More practical, economical, and innovative than ever before.
- Outstanding in its class.



The Commerce Crafter chassis cab Business Pack includes:

- Anti-theft alarm with interior monitoring, backup horn and towing protection
- Climatic air conditioning system

The perfect workplace.

- Available with an ergoComfort/ergoActive suspension seat*
- A variety of storage solutions with a wide range of different ports and connections
- Available with a heated leather multi-function steering wheel*
- Available with a 230V socket (300w)*

A choice of drive systems.

- Front wheel drive delivers the highest possible load compartment
- The first van to offer an 8-speed automatic gearbox with a choice of front wheel, rear wheel and 4MOTION all-wheel drive

Value for money.

- High residual value
- Low fuel consumption
- Low maintenance costs

Superb connectivity.

- Telematics preparation including FMS 3.0 compatibility*
- Customer-specific function control unit (for special bodies and conversions)*
- Car-Net mobile online services*

Numerous driver assistance and safety systems.

- The first with City Emergency Braking and Automatic Post-Collision Braking as standard
- Electromechanical Servotronic steering as standard
- Side protection*
- Lane Keeping Assist*
- Rear Traffic Alert*
- Trailer Assist*
- Park Assist*
- LED headlights*

* Available as an option.

Illustration includes options at extra charge. Please contact your local Volkswagen Commercial Vehicles Van Centre for details of the standard equipment and optional extras available.

Upgrade your Crafter Commerce chassis cab with a Business Pack and save £1,105.*

* Saving against the cost of purchasing individual items.

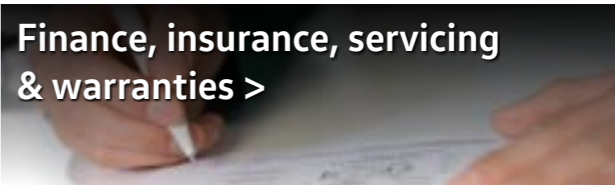
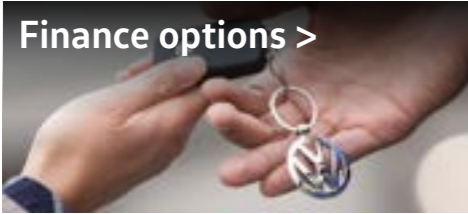
- Anti-theft alarm with interior monitoring, back-up horn and towing protection
- Climatic air conditioning system

FOR ONLY
£1,325
+ VAT

[Find out more](#)



Contents



Crafted by you. Engineered by us.



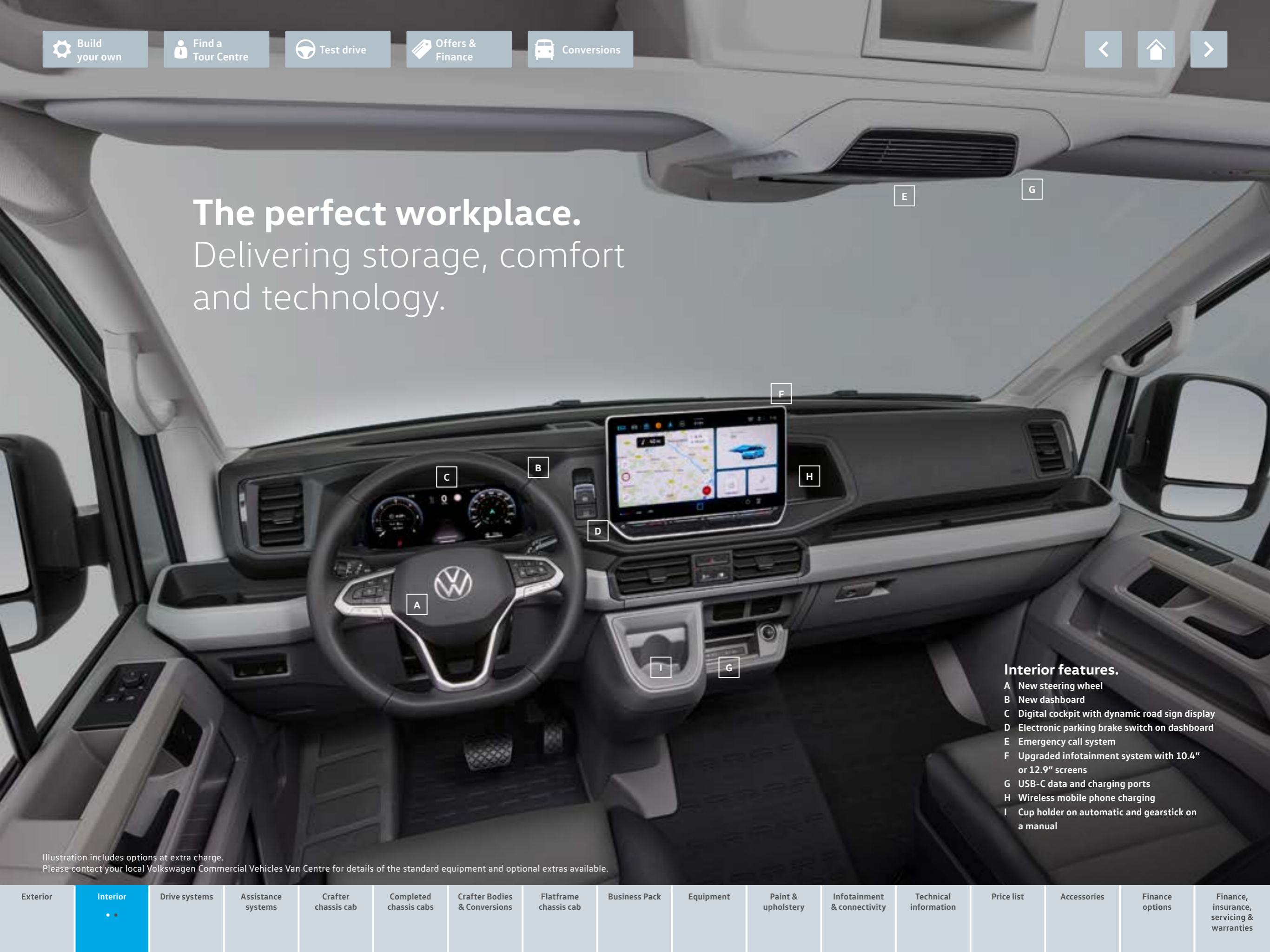
More practical, economical and innovative than ever before. The Crafter chassis cab is a commercial vehicle like no other. Designed by our customers for our customers. Built from the ground up, using 100% Volkswagen DNA as a cost-effective, transport-oriented solution to meet the demands of a diverse range of businesses. The Crafter chassis cab represents state-of-the-art manufacturing, with the sole aim of making it the best commercial vehicle in its class.

Illustration includes options at extra charge. Please contact your local Volkswagen Commercial Vehicles Van Centre for details of the standard equipment and optional extras available.

Exterior	Interior	Drive systems	Assistance systems	Crafter chassis cab	Completed chassis cabs	Crafter Bodies & Conversions	Flatframe chassis cab	Business Pack	Equipment	Paint & upholstery	Infotainment & connectivity	Technical information	Price list	Accessories	Finance options	Finance, insurance, servicing & warranties
--------------------------	--------------------------	-------------------------------	------------------------------------	-------------------------------------	--	--	---------------------------------------	-------------------------------	---------------------------	--	---	---------------------------------------	----------------------------	-----------------------------	---------------------------------	--

The perfect workplace.

Delivering storage, comfort and technology.



- Interior features.**
- A New steering wheel
 - B New dashboard
 - C Digital cockpit with dynamic road sign display
 - D Electronic parking brake switch on dashboard
 - E Emergency call system
 - F Upgraded infotainment system with 10.4" or 12.9" screens
 - G USB-C data and charging ports
 - H Wireless mobile phone charging
 - I Cup holder on automatic and gearstick on a manual

Illustration includes options at extra charge. Please contact your local Volkswagen Commercial Vehicles Van Centre for details of the standard equipment and optional extras available.

Exterior	Interior	Drive systems	Assistance systems	Crafter chassis cab	Completed chassis cabs	Crafter Bodies & Conversions	Flatframe chassis cab	Business Pack	Equipment	Paint & upholstery	Infotainment & connectivity	Technical information	Price list	Accessories	Finance options	Finance, insurance, servicing & warranties
----------	-----------------	---------------	--------------------	---------------------	------------------------	------------------------------	-----------------------	---------------	-----------	--------------------	-----------------------------	-----------------------	------------	-------------	-----------------	--



The ergoComfort suspension seat.

- A Suspension seat with weight adjustment
- B Longitudinal seat adjustment
- C Seat height adjustment
- D Seat depth adjustment
- E Seat tilt adjustment
- F Backrest adjustment
- G Electric 4-way lumbar support
- H Headrest adjustment
- I Armrest adjustment

The ergoActive suspension seat.

- J Seat massage function*

* This feature is in addition to the standard features of the ergoComfort seat.

The ergoComfort suspension seats.

Adjustable for a more comfortable driving position.

The optional ergoComfort and ergoActive suspension seats with 20-way adjustment are designed to deliver optimum comfort through the reduction of road-related jolts. The combination of electric and manual adjustment allows the driver to select their preferred seating position. In addition, should you desire, the massage function is also available for the ergoActive suspension seat only.



Overcab storage compartments in the roof shelf.

A wide range of drive systems.

The Crafter chassis cab – available with an 8-speed automatic gearbox and a choice of three different drive systems.

The 8-speed automatic transmission is the only one in its class that can be combined with three different drive systems. It has been specially calibrated for the Crafter chassis cab's specific driving characteristics, enabling both comfortable and consumption-optimised handling.

Front wheel drive.



100mm lower load sill and entry height.
Highest load height in class.
Highest payload in the range.




Transversely-mounted front engine.

Rear wheel drive.



High towing capacity up to 3.5t.
Gross train weight of up to 8.0t.
Better traction with heavy loads.




Longitudinally-mounted front engine.

4MOTION all-wheel drive.



Dependable traction and control.
Improved directional stability.




Transversely-mounted front engine.

122PS engine	-
140PS engine	6-speed manual gearbox or 8-speed automatic gearbox
177PS engine	6-speed manual gearbox or 8-speed automatic gearbox

122PS engine	-
140PS engine	6-speed manual gearbox
163PS engine	6-speed manual gearbox or 8-speed automatic gearbox

122PS engine	-
140PS engine	6-speed manual gearbox
177PS engine	-

Illustrations may include options at extra charge. Please contact your local Volkswagen Commercial Vehicles Van Centre for details of the standard equipment and optional extras available.

State-of-the-art driver assistance and safety systems.



Watch video >



Front Assist with City Emergency Braking System.

Front Assist with City Emergency Braking System. Standard across the Crafter chassis cab range, this detects critical distances, warns of hazardous situations and when necessary, triggers emergency braking.

Illustrations may include options at extra charge. Please contact your local Volkswagen Commercial Vehicles Van Centre for details of the standard equipment and optional extras available.

Exterior	Interior	Drive systems	Assistance systems	Crafter chassis cab	Completed chassis cabs	Crafter Bodies & Conversions	Flatframe chassis cab	Business Pack	Equipment	Paint & upholstery	Infotainment & connectivity	Technical information	Price list	Accessories	Finance options	Finance, insurance, servicing & warranties
----------	----------	---------------	---------------------------	---------------------	------------------------	------------------------------	-----------------------	---------------	-----------	--------------------	-----------------------------	-----------------------	------------	-------------	-----------------	--

Assistance systems to help keep you one step ahead.



(MCB) Automatic Post-Collision Braking System.
Fitted as standard, the Automatic Post-Collision Braking System triggers braking after a collision, with the aim of preventing secondary collisions.

P Side protection.
Available as an option, Side protection monitors the vehicle's sides and alerts you with visual and audible warnings if you're getting too close to other vehicles, pillars, walls or pedestrians.

ACC Adaptive Cruise Control (ACC).
Available as an option on Commerce Plus only, ACC uses a front radar to measure the distance (up to 120 metres) and speed relative to vehicles driving ahead. It automatically regulates the pre-set distance. ACC also includes the Front Assist with City Emergency Braking System. This detects critical distances, warns of hazardous situations and when necessary, a speed of up to 18mph triggers emergency braking.

/i Lane Keeping Assist.¹
Available as an option, Lane Keeping Assist countersteers the vehicle if the driver unintentionally drifts from a lane. The system also emits audible and visual warnings via the multi-function display to alert the driver of danger.

¹ Within the system's thresholds.
Illustrations may include options at extra charge. Please contact your local Volkswagen Commercial Vehicles Van Centre for details of the standard equipment and optional extras available.

Exterior	Interior	Drive systems	Assistance systems	Crafter chassis cab	Completed chassis cabs	Crafter Bodies & Conversions	Flatframe chassis cab	Business Pack	Equipment	Paint & upholstery	Infotainment & connectivity	Technical information	Price list	Accessories	Finance options	Finance, insurance, servicing & warranties
----------	----------	---------------	---------------------------	---------------------	------------------------	------------------------------	-----------------------	---------------	-----------	--------------------	-----------------------------	-----------------------	------------	-------------	-----------------	--



Rear Traffic Alert.
Available as an option, Rear Traffic Alert helps by emitting an audible warning when reversing out of a parking space if another vehicle is getting too close. If the driver fails to respond, the system intervenes and applies braking to help avoid a collision.

Park Assist.
This useful option aids positioning into parking spaces. When reverse is engaged, the vehicle assumes control of the steering. All that's required of the driver is operate the clutch, accelerator and brake pedals, whilst keeping a good lookout.

Light Assist high-beam assistant.
Automatically dips the headlights when it detects oncoming vehicles, or vehicles travelling ahead, to prevent other drivers from becoming dazzled. The system automatically switches on the high-beam headlights when the vehicle is travelling above 37mph in darkness.

1 Within the system's thresholds. Illustrations may include options at extra charge. Please contact your local Volkswagen Commercial Vehicles Van Centre for details of the standard equipment and optional extras available.

Exterior	Interior	Drive systems	Assistance systems	Crafter chassis cab	Completed chassis cabs	Crafter Bodies & Conversions	Flatframe chassis cab	Business Pack	Equipment	Paint & upholstery	Infotainment & connectivity	Technical information	Price list	Accessories	Finance options	Finance, insurance, servicing & warranties
----------	----------	---------------	--------------------	---------------------	------------------------	------------------------------	-----------------------	---------------	-----------	--------------------	-----------------------------	-----------------------	------------	-------------	-----------------	--



Electromechanical Servotronic steering.

Fitted as standard, Electromechanical Servotronic steering provides a speed-sensitive operation with active return. This improves the steering feel around the mid-point, providing improved levels of steering precision.



Electronic Stabilisation Programme (ESP).

Fitted as standard, ESP is designed to prevent the vehicle from swerving in critical driving conditions by controlled and targeted intervention in the brakes and engine management system. This helps to maximise directional stability.



Rear-view camera.¹

Simplifies parking by showing a limited view of the area behind the vehicle on the display of the radio or navigation system. Additional guidelines help the driver manoeuvre into the space.



Cruise control.

At 18mph and above, the system maintains your chosen preset speed through uphill and downhill inclines. Available as an option.



Tyre pressure monitoring system.¹

Displays the current pressure for every tyre and warns of deviations from the set pressure.



Driver Alert System.¹

Uses visual and audible warning signals to recommend that the driver takes a break as soon as it registers driving behaviour that indicates tiredness. Standard on all models.



Road Sign Display.²

Detects road signs and informs the driver about the current traffic situation.



Fog lights with cornering function.

Ensures optimum visibility in poor weather conditions. The fog light on the inside of the curve illuminates the roadside when turning.



Hill Descent Assist.³

Allows you to descend slopes in a safe, controlled way by regulating the engine speed and applying the brakes as necessary.



Hill Start Assist.

This prevents the vehicle from rolling back on inclines, making it easier to start off on uphill slopes. Standard on all models.



Lane Change Assist – Side Scan.¹

Side Scan displays a warning signal on the exterior mirror as soon as one of its sensors detects a vehicle in a blind spot during a lane change.



Anti-lock braking system (ABS).¹

Prevents wheels from locking up and, thus, maintains manoeuvrability. Standard on all models.



Traction control system (ASR).

Prevents wheelspin on poor or unstable surfaces.



Electronic differential lock (EDL).

Distributes the engine torque to the tyres with the greatest traction.



Driver's airbag.

Provides the best possible protection in the event of a frontal impact as a standard feature. A side-head airbag is also available as an option.



Seat belt warning.

If their seat belt is not fastened, the seat belt warning reminds the driver to fasten it with a visual warning when the engine is started, and an audible warning after setting off. Standard on all models.

¹ Within the system's thresholds. ² Only available in conjunction with the Discover Media navigation system. ³ Only in conjunction with 4MOTION all-wheel drive. Illustration includes options at extra charge. Please contact your local Volkswagen Commercial Vehicles Van Centre for details of the standard equipment and optional extras available.

Exterior	Interior	Drive systems	Assistance systems	Crafter chassis cab	Completed chassis cabs	Crafter Bodies & Conversions	Flatframe chassis cab	Business Pack	Equipment	Paint & upholstery	Infotainment & connectivity	Technical information	Price list	Accessories	Finance options	Finance, insurance, servicing & warranties
----------	----------	---------------	---------------------------	---------------------	------------------------	------------------------------	-----------------------	---------------	-----------	--------------------	-----------------------------	-----------------------	------------	-------------	-----------------	--

Starting from
£36,190†

Please click here for more details.

The Crafter chassis cab

The Crafter single and double cab form the perfect base for a wide range of specialist applications and conversions. With a sturdy ladder frame chassis at the heart of both models, as well as numerous task-specific factory options and extensive wheelbase, payload and engine combinations, the Crafter enables virtually any kind of body to be mounted. When it comes to moving your crew, the Crafter excels here too. While the chassis cab seats up to three, including the driver, the double cab seats seven, with all seats featuring 3-point seatbelts and adjustable head restraints as standard. Choose any Crafter single or double cab and you'll be building on a firm foundation.



Model shown features double cab. Please note: body shown may not necessarily reflect current UK specification.

Volkswagen Commercial Vehicles may change RRP's at any time (this includes where there are government changes in regulation and/or legislation). There may be a delay to any RRP displaying correctly on our materials. Always obtain prices from your chosen authorised Van Centre.

† Basic RRP excluding VAT.

Exterior	Interior	Drive systems	Assistance systems	Crafter chassis cab	Completed chassis cabs	Crafter Bodies & Conversions	Flatframe chassis cab	Business Pack	Equipment	Paint & upholstery	Infotainment & connectivity	Technical information	Price list	Accessories	Finance options	Finance, insurance, servicing & warranties
----------	----------	---------------	--------------------	----------------------------	------------------------	------------------------------	-----------------------	---------------	-----------	--------------------	-----------------------------	-----------------------	------------	-------------	-----------------	--

Please refer to model variants section for an overview of the Crafter chassis cab model variants.



¹ Only available in conjunction with single cab CR50 5.0T GVW.

Exterior	Interior	Drive systems	Assistance systems	Crafter chassis cab	Completed chassis cabs	Crafter Bodies & Conversions	Flatframe chassis cab	Business Pack	Equipment	Paint & upholstery	Infotainment & connectivity	Technical information	Price list	Accessories	Finance options	Finance, insurance, servicing & warranties
----------	----------	---------------	--------------------	----------------------------	------------------------	------------------------------	-----------------------	---------------	-----------	--------------------	-----------------------------	-----------------------	------------	-------------	-----------------	--

The Crafter Dropside



Starting from **£42,255†**

Please click here for more details.

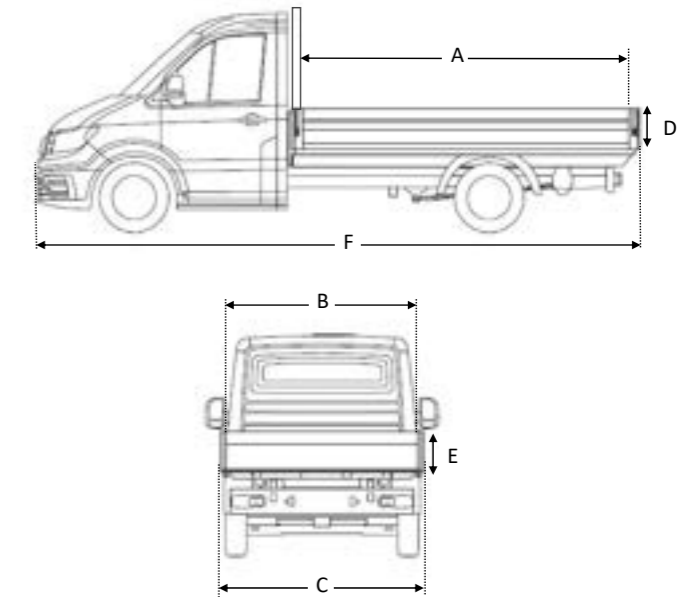
Whatever you're building on site, we believe in building partnerships. Working with conversion specialists Ingimex, we've designed a versatile Dropside that's built for the job and the journey.

- Whole body designed to latest European design standards
- Readily modified for the addition of fall arrest rails, tail lift etc.
- 3-year warranty

Additional features

- One piece, 15mm thick phenolic resin coated birch non-slip deck
- Recessed, load down lashing rings, tested to 800kg
- Three-level load lashing assembly
- Bolted assembly with a 400kg gantry capacity
- Seamless aluminium boards, perfect for livery
- Boards and lock assemblies, tested to a burst load of 1.7t
- Removable, powder coated rear corner pillars extend above board height to form lateral stops
- Wire rope supports retain tailboard horizontally and prevent rear lamp obstruction

Illustrations may include options at extra charge. Please contact your local Volkswagen Commercial Vehicles Van Centre for details of the standard equipment and optional extras available.



Single cab	MWB wheelbase	LWB wheelbase
Front wheel drive		
A. Internal length	3,450mm	4,300mm
B. Internal width	2,026mm	2,026mm
C. External width	2,087mm	2,087mm
D. Sideboard height	400mm	400mm
E. Tailboard height	400mm	400mm
F. Overall length	6,218mm	7,068mm

Double cab	LWB wheelbase
Front wheel drive	
A. Internal length	3,501mm
B. Internal width	2,026mm
C. External width	2,087mm
D. Sideboard height	400mm
E. Tailboard height	400mm
F. Overall length	7,068mm

Volkswagen Commercial Vehicles may change RRP's at any time (this includes where there are government changes in regulation and/or legislation). There may be a delay to any RRP displaying correctly on our materials. Always obtain prices from your chosen authorised Van Centre.

† Basic RRP excluding VAT.

The Crafter Tipper



Starting from **£44,555†**

Please click here for more details.

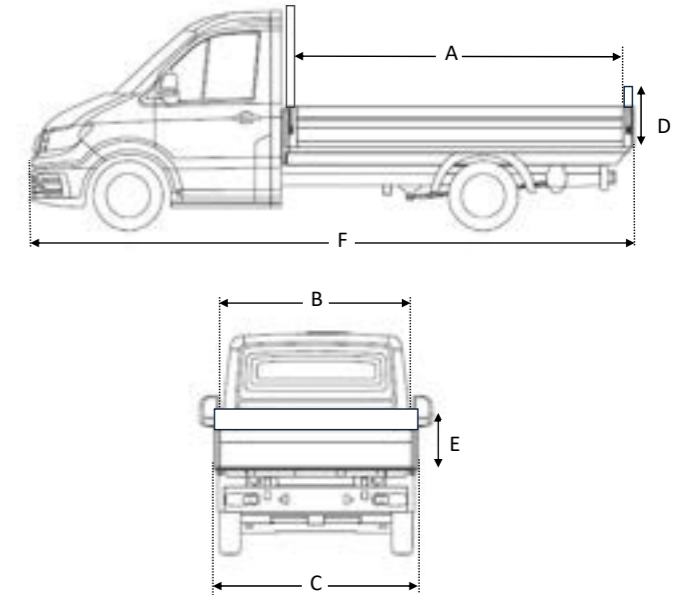
We know you only team up with the best. We do too, so we turned to conversion specialists Ingimex to design our new Crafter Tipper. Tough, safe and versatile, it's as hard-working as you are.

- Whole body designed to latest European design standards
- Tipper control via wander lead
- 3-year warranty

Additional features

- High strength steel platform with retractable load lashing rings
- Front bulkhead ladder rack with 400kg loading capacity
- Direct acting 5 stage under floor ram
- High visibility manual tail board with tip-over and tip-through function finished in yellow and reflective red markings
- Maintenance free pivot bearings
- 6 internal load lashing points on deck (DIN 75410-1 compliant)

Illustrations may include options at extra charge. Please contact your local Volkswagen Commercial Vehicles Van Centre for details of the standard equipment and optional extras available.



Single cab – MWB wheelbase.

Front wheel drive	
A. Internal length	3,350mm
B. Internal width	2,026mm
C. External width	2,087mm
D. Sideboard height	400mm
E. Tailboard height	600mm
F. Overall length	6,215mm

Double cab – LWB wheelbase.

Front wheel drive	
A. Internal length	3,350mm
B. Internal width	2,026mm
C. External width	2,087mm
D. Sideboard height	400mm
E. Tailboard height	600mm
F. Overall length	6,925mm

Volkswagen Commercial Vehicles may change RRP's at any time (this includes where there are government changes in regulation and/or legislation). There may be a delay to any RRP displaying correctly on our materials. Always obtain prices from your chosen authorised Van Centre.

† Basic RRP excluding VAT.

The Crafter Luton



Starting from **£47,465†**

Please click here for more details.

Whatever you need to move, you need a vehicle you can trust. That's why we partner with conversion specialists Ingimex to bring you a Luton van that's both tough and versatile, built on the multi award winning Volkswagen Crafter.

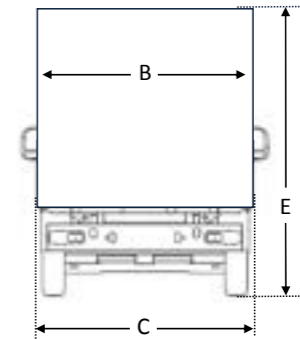
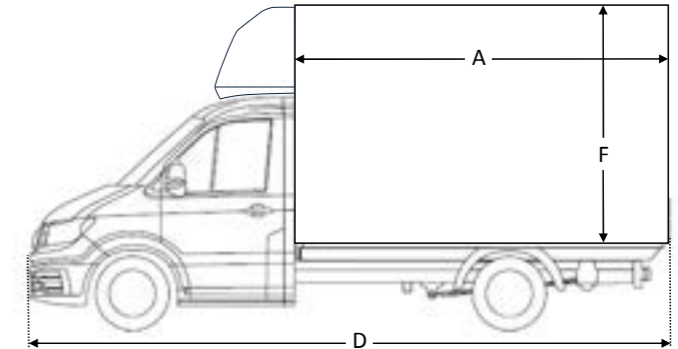
- Whole body designed to latest European design standards
- Available with optional tail lift
- 3-year warranty

Additional features

- Light weight sides and bulkhead with no visible fixings, clear for liveried finish
- Bolted rear frame, dip painted and powder coated to resist corrosion
- Unique Ingimex four-tier load restraint system for deck lashing, standard load lock lashing or for use with optional Ingimex telescopic load poles
- High-strength Ingimex shutter with no external cables and smooth finish suitable for livery
- Reinforced bottom plank to protect against movement of unsecured loads
- Rear footstep fitted as standard
- Full height grab handle with integrated, 360° rotating spot lamp
- Includes chassis package (uprated suspension, reinforced stabilizers and heavy front axle) for optimised vehicle handling

Palfinger V500LQ Tail lift

- 500 kg lifting capacity
- Column type lift with aluminium load platform of 913mm depth + additional 188mm trailing edge
- Dual controls; internal to body and external
- Volkswagen warranted for 3 years in line with the overall conversion



Single cab - LWB wheelbase.

Front wheel drive

A. Internal length	4,119mm
B. Internal width	1,951mm
C. External width	2,100mm
D. Overall length	7,215mm
E. Overall height	3,200mm
F. Internal load height	2,120mm

Volkswagen Commercial Vehicles may change RRP's at any time (this includes where there are government changes in regulation and/or legislation). There may be a delay to any RRP displaying correctly on our materials. Always obtain prices from your chosen authorised Van Centre. † Basic RRP excluding VAT.

Illustrations may include options at extra charge. Please contact your local Volkswagen Commercial Vehicles Van Centre for details of the standard equipment and optional extras available.

The Crafter chassis cab. Engineered for you.

The Crafter chassis cab is the perfect basis for heavy bodies thanks to its robust lightweight design. You can find example bodies here, on the following pages and also at www.volkswagen-vans.co.uk/conversions



Tipper.



Crane tipper.



Dropside



Box van.



Recovery vehicle.



Refrigerated box van.



Lifting platform.



Illustrations may include options at extra charge. Please contact your local Volkswagen Commercial Vehicles Van Centre for details of the standard equipment and optional extras available.

Exterior	Interior	Drive systems	Assistance systems	Crafter chassis cab	Completed chassis cabs	Crafter Bodies & Conversions	Flatframe chassis cab	Business Pack	Equipment	Paint & upholstery	Infotainment & connectivity	Technical information	Price list	Accessories	Finance options	Finance, insurance, servicing & warranties
----------	----------	---------------	--------------------	---------------------	------------------------	---	-----------------------	---------------	-----------	--------------------	-----------------------------	-----------------------	------------	-------------	-----------------	--

The Crafter Flatframe chassis

Starting from **£37,895†**

Please click here for more details.

The Volkswagen Crafter Flatframe chassis is a specialist version of the Crafter chassis cab with a frame which is 190 mm lower than a standard Crafter chassis. The low floor makes it ideal for conversion into Luton and Coachbuilt motorhome applications.

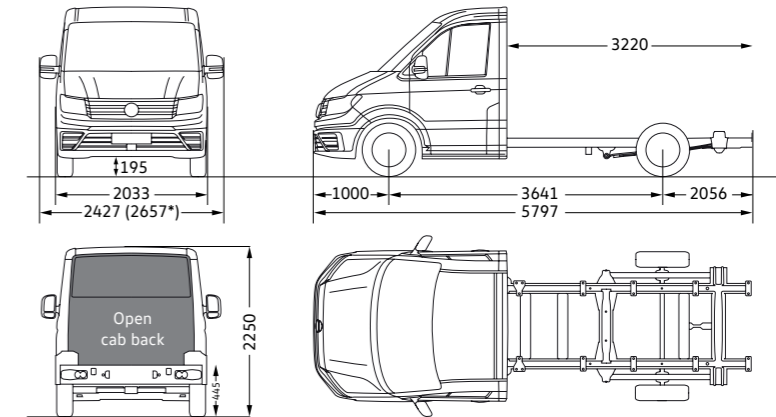
There are two main variants, the MWB and the LWB. Both versions are supplied with an open back cab ready for conversion and options including without a cab roof.

- Dual passenger seat is standard equipment and can be optionally changed to single or single swivel seats as required

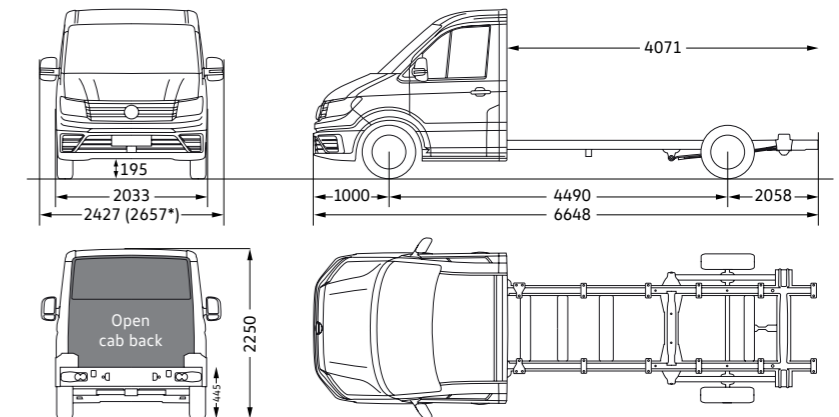
Illustrations may include options at extra charge. Please contact your local Volkswagen Commercial Vehicles Van Centre for details of the standard equipment and optional extras available.



MWB



LWB



* This value applies for the optional bow-mounted door mirror extensions.

Flatframe chassis – Single cab	MWB	LWB
Front wheel drive	wheelbase	wheelbase
External width	2,427mm	2,427mm
Overall length	5,797mm	6,648mm
Overall height	2,250mm	2,250mm
Wheelbase	3,641mm	4,490mm
Turning circle (wall to wall)	13.6m	16.2m

Volkswagen Commercial Vehicles may change RRP's at any time (this includes where there are government changes in regulation and/or legislation). There may be a delay to any RRP displaying correctly on our materials. Always obtain prices from your chosen authorised Van Centre. Please note: Vehicle drawings are not to scale. All dimensions in millimetres (mm), unless otherwise stated. The height measurements listed may vary by ± 40mm depending on model and equipment fitted. † Basic RRP excluding VAT.

Upgrade your Crafter chassis cab with the discounted Business Pack. Now you can drive away in an upgraded Volkswagen Crafter chassis cab for less.



The Commerce Crafter chassis cab Business Pack includes:

- Anti-theft alarm with interior monitoring, backup horn and towing protection
- Climatic air conditioning system

Upgrade now for as little as **£1,325 +VAT.**

SAVING UP TO £1,105[†] FOR YOU AND YOUR BUSINESS

Volkswagen Commercial Vehicles may change RRP's at any time (this includes where there are government changes in regulation and/or legislation). There may be a delay to any RRP displaying correctly on our materials. Always obtain prices from your chosen authorised Van Centre.
[†] Saving against the cost of purchasing individual items.
Image shown is for illustrative purposes only. Vehicle shown is not UK specification.

Exterior	Interior	Drive systems	Assistance systems	Crafter chassis cab	Completed chassis cabs	Crafter Bodies & Conversions	Flatframe chassis cab	Business Pack	Equipment	Paint & upholstery	Infotainment & connectivity	Technical information	Price list	Accessories	Finance options	Finance, insurance, servicing & warranties
----------	----------	---------------	--------------------	---------------------	------------------------	------------------------------	-----------------------	----------------------	-----------	--------------------	-----------------------------	-----------------------	------------	-------------	-----------------	--

Chassis cab standard equipment – Commerce

Audio and communications.

- Composition Colour DAB+ radio with 10 inch touch-screen, USB/iPod connection and Bluetooth®.

Cab area.

- Austin fabric seat covers (Anthracite).
- Dual passenger seat with storage compartment and folding tray in backrest.
- Electromechanical Servotronic steering.
- Overhead storage with two 1-Din slots and reading light
- Rubber floor covering.
- Multi-function steering wheel with reach and rake adjustment.
- 12V socket.
- 4-seater bench (double cab) in second row of seats with storage compartment underneath the seat.

Cargo area.

- Full-height steel bulkhead without window.

Exterior.

- Black unpainted front bumper.
- Manually adjustable door mirrors.
- Side marker lights.
- 75 litre fuel tank with lockable cap.

Wheels and tyres.

- 16" x 6.5J steel wheels.
- 205/75 R16 C113/111 low rolling resistance.
- Full size steel spare wheel.
- Tool kit and jack.

Safety and security.

- Anti-lock Braking System (ABS).
- Adjustable speed limiter.
- Automatic hazard lights activation under emergency braking.
- Driver Alert System.
- Driver and passenger front airbags.
- Electronic Brake Assist (EBA).
- Electronic Stabilisation Programme (ESP), load adjusting.
- Engine immobiliser.
- Front Assist with City Emergency Braking System.
- Halogen main headlights with separate daytime running lights with automatic headlight control and Coming Home feature.
- Lane keeping assist.
- Parking brake with hill hold control.
- Remote central locking with 2 remote keys.
- Seatbelt warning light for driver.
- Three-point inertia-reel seatbelts for all seats.
- Windshield wiper auto control with light/rain sensor.
- Front and rear parking sensors as standard.



Chassis cab standard equipment – Commerce CR50 5.0T GVW models

Exterior.

- Double rear wheels.
- Rear wheel drive.

Safety and security.

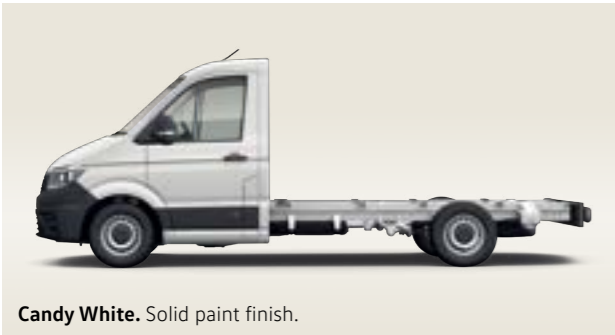
- Smart digital tachograph (Smart TCO 2.0).
- Mandatory speed limiter - 56mph.

Illustration includes options at extra charge. Please contact your local Volkswagen Commercial Vehicles Van Centre for details of the standard equipment and optional extras available.

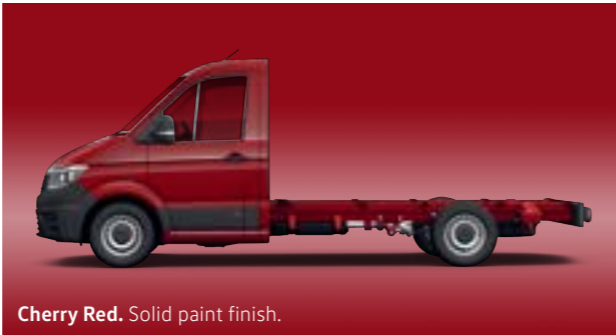
Detailed information regarding tyre efficiency labelling and technical specifications on all potential tyre fitments can be found by visiting the Volkswagen Commercial Vehicles online car configurator at www.volkswagen-vans.co.uk/en/configurator.html

Exterior	Interior	Drive systems	Assistance systems	Crafter chassis cab	Completed chassis cabs	Crafter Bodies & Conversions	Flatframe chassis cab	Business Pack	Equipment	Paint & upholstery	Infotainment & connectivity	Technical information	Price list	Accessories	Finance options	Finance, insurance, servicing & warranties
----------	----------	---------------	--------------------	---------------------	------------------------	------------------------------	-----------------------	---------------	-----------	--------------------	-----------------------------	-----------------------	------------	-------------	-----------------	--

Paint & upholstery



Candy White. Solid paint finish.



Cherry Red. Solid paint finish.



Bright Orange. Solid paint finish.



Standard Black unpainted front bumper.



Ascot Grey. Solid paint finish.



Deep Ocean Blue. Solid paint finish.



Oyster Silver¹. Metallic paint finish.



Optional body-coloured front bumper.



Indium Grey¹. Metallic paint finish.

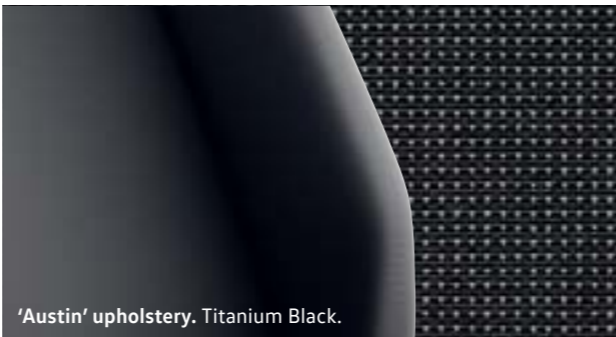


Deep Black¹. Pearl Effect paint finish.

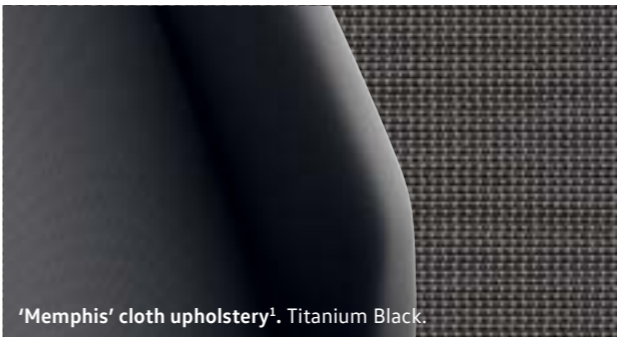
¹ Optional at extra cost.

Please note: Screen representations do not allow exact reproduction of paint and upholstery colours.

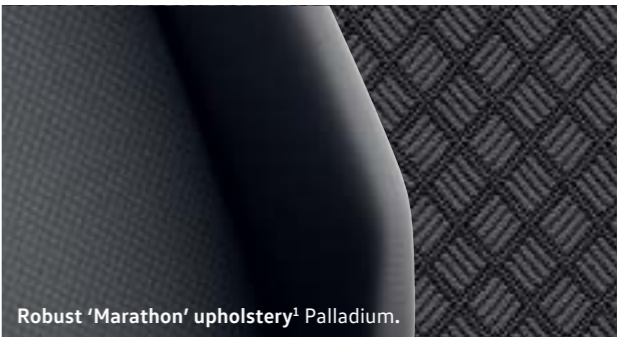
Illustrations include options at extra charge. Please contact your local Volkswagen Commercial Vehicles Van Centre for details of the standard equipment and optional extras applicable in your country.



'Austin' upholstery. Titanium Black.



'Memphis' cloth upholstery¹. Titanium Black.



Robust 'Marathon' upholstery¹ Palladium.

Exterior	Interior	Drive systems	Assistance systems	Crafter chassis cab	Completed chassis cabs	Crafter Bodies & Conversions	Flatframe chassis cab	Business Pack	Equipment	Paint & upholstery	Infotainment & connectivity	Technical information	Price list	Accessories	Finance options	Finance, insurance, servicing & warranties
----------	----------	---------------	--------------------	---------------------	------------------------	------------------------------	-----------------------	---------------	-----------	--------------------	-----------------------------	-----------------------	------------	-------------	-----------------	--

Infotainment & connectivity



01 Composition Colour DAB+ radio system. The Composition Colour DAB+ radio system features a 10 inch touch-screen colour display, two USB (type-C) ports, Bluetooth®, and four speakers delivering 20 watt output. It also features App-Connect, an integrated eSIM and mobile online services as part of We Connect¹ and We Connect Plus^{1,2}. Standard on on all Crafter trims. Option to upgrade to include Satellite Navigation.

02 Discover Media satellite navigation system. The optional Discover Media satellite navigation system features an 12 inch colour touch-screen with proximity sensor. The system also includes DAB+, natural voice control, IDA, free map updates via the internet and mobile online services with Volkswagen We Connect Plus^{1,2}, and wireless App-Connect³. Optional on all models.

¹ To use We Connect services, you need to have a Volkswagen ID user account, and must log into We Connect with your username and password. In addition, a separate We Connect contract or We Connect Plus contract must be concluded online with Volkswagen AG. For We Connect Plus, you have 90 days from the handover of the vehicle to register the vehicle at www.portal.volkswagen-we.com, and use the services for the full duration of the agreed free period. ² Free of charge for the first year when you order Composition Colour or Discover Media navigation systems. There is an extra charge in the event of renewal once the free period has expired. ³ Only in conjunction with compatible Apple CarPlay devices on the Discover Media navigation system.

Exterior	Interior	Drive systems	Assistance systems	Crafter chassis cab	Completed chassis cabs	Crafter Bodies & Conversions	Flatframe chassis cab	Business Pack	Equipment	Paint & upholstery	Infotainment & connectivity	Technical information	Price list	Accessories	Finance options	Finance, insurance, servicing & warranties
----------	----------	---------------	--------------------	---------------------	------------------------	------------------------------	-----------------------	---------------	-----------	--------------------	--	-----------------------	------------	-------------	-----------------	--



We Connect and We Connect Plus.

Your vehicle's technology, at your fingertips.

With Volkswagen We Connect¹ driving a van will now be even more digital. The We Connect¹ App connects your smartphone to the vehicle with an integrated eSIM card. To take advantage of these exclusive services, you can register today with the We Connect¹ Portal. Once your vehicle has been activated, you can access the full range of Mobile Online Services.

We Connect¹



BREAKDOWN CALL

In the event of a breakdown, we get to your location quickly. With 'Breakdown Call', you can call for breakdown assistance from your vehicle with the press of a button. The system will send your location and vehicle information directly to the AA Call Centre.



PARKING POSITION

The 'Parking Position' Service shows you where your car is located. If necessary, it can also show you the fastest way of getting to it.



SERVICE SCHEDULING

You drive - Volkswagen 'Service Scheduling' looks after the rest. As soon as your vehicle's service is due, a notification will automatically be sent to your chosen Volkswagen Van Centre, who will be in touch to book the service appointment with you.



EMERGENCY CALL SERVICE

In the event of a serious accident, you can press the 'eCall' button to speak to the emergency services who will automatically dispatch help to your exact location or, in the event your vehicle is involved in an accident, they will contact you and will automatically dispatch help if you are not able to respond.

We Connect Plus^{1,2}



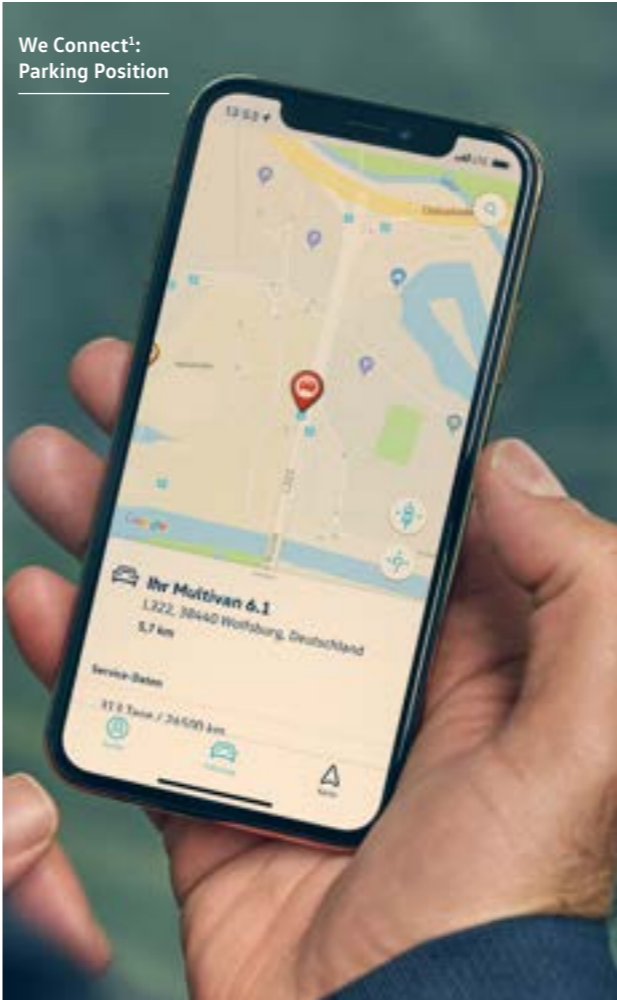
LOCK & UNLOCK

'Lock & Unlock' allows you to control the central locking system of your vehicle - using your smartphone, you can conveniently lock and unlock the doors and luggage compartment.

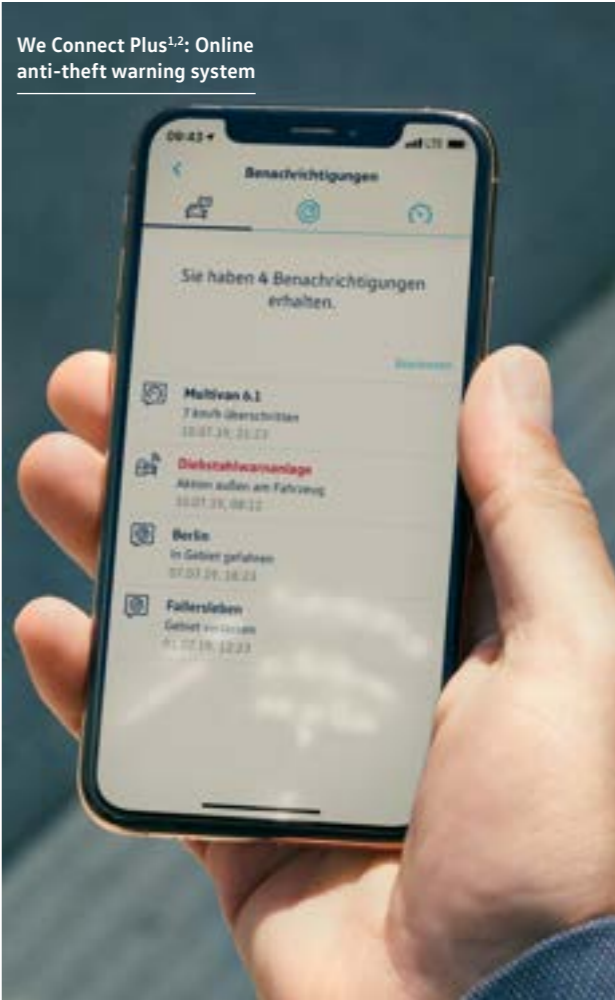


ONLINE ANTI-THEFT ALARM³

Sit back and relax - your vehicle can look after itself. If an attempt is made to break into the car, the 'Online Anti-Theft Alarm' will inform the We Connect app on your smartphone or by email.



We Connect¹: Parking Position



We Connect Plus^{1,2}: Online anti-theft warning system

1 To use We Connect services, you need a Volkswagen ID user account and must log in to We Connect with your user name and password. A separate We Connect contract or We Connect Plus contract will also need to be made online with Volkswagen AG. For We Connect Plus you have 90 days after the handover of the vehicle to register the vehicle on www.portal.volkswagen-we.com and can use services free during this time. 2 Free of charge for the first year when you order Composition Colour or Discover Media navigation system. There is an extra charge in the event of renewal once the free period has expired. For the use of the Streaming and Internet based services and for the Wi-Fi hotspot, data packages can be purchased from Cubic Telecom, our mobile communications partner and used in the network coverage area within many European countries. You can find information on prices and supported countries at www.vw.cubictelecom.com 3 For the use of the Streaming and Internet based services and for the Wi-Fi hotspot, data packages can be purchased from Cubic Telecom, our mobile communications partner and used in the network coverage area within many European countries. You can find information on prices and supported countries at www.vw.cubictelecom.com Images shown are for illustrative purposes only.



We Connect.

Your vehicle's technology, at your fingertips.

We Connect¹

- Automatic Accident Notification
- Breakdown call
- Doors & Lights
- Driving Data
- eCall Emergency System
- Emergency Call
- Parking Position
- Service Scheduling
- Vehicle Health Report
- Vehicle Status

We Connect Plus^{1,2}

- Filling & Charging Stations
- Horn & Turn Signals
- Internet Radio
- Lock & Unlock
- Media Streaming³
- Online Anti-theft Warning System³
- Online Map Update³
- Online Route Calculation³
- Online Route Search
- Online Traffic Information³
- Online Voice Control
- Parking Spaces

Commerce

- We Connect: Optional with Composition Colour
- We Connect Plus – One year subscription: Optional with Composition Colour
- We Connect Plus – Three year's subscription: Optional with Discover Media Navigation



¹ To use We Connect services, you need a Volkswagen ID user account and must log in to We Connect with your user name and password. A separate We Connect contract or We Connect Plus contract will also need to be made online with Volkswagen AG. For We Connect Plus you have 90 days after the handover of the vehicle to register the vehicle on www.portal.volkswagen-we.com and can use services free during this time. ² Free of charge for the first year when you order Composition Colour or Discover Media navigation system. There is an extra charge in the event of renewal once the free period has expired. ³ For the use of the Streaming and Internet based services and for the Wi-Fi hotspot, data packages can be purchased from Cubic Telecom, our mobile communications partner and used in the network coverage area within many European countries. You can find information on prices and supported countries at www.vw.cubictelecom.com

Engine & gearbox data

Engine specifications	2.0 TDI 102PS	2.0 TDI 140PS	2.0 TDI 140PS	2.0 TDI 163PS	2.0 TDI 177PS
Mixture preparation/injection method	Common-rail/exhaust-gas turbocharger	Common-rail/exhaust-gas turbocharger	Common-rail/exhaust-gas turbocharger	Common-rail/exhaust-gas turbocharger	Common-rail/exhaust-gas turbocharger
EU exhaust emission standard – FWD / 4MOTION	EU6d EVAP ISC	–	EU6d EVAP ISC	–	EU6d EVAP ISC
EU exhaust emission standard – RWD	–	EURO VI-d Heavy Duty	–	EURO VI-d Heavy Duty	–
Number of cylinders	4	4	4	4	4
Cubic capacity	1,968cc	1,968cc	1,968cc	1,968cc	1,968cc
Output, PS at rpm	102 at 3,000-3,500	140 at 3,600	140 at 3,500-3,600	163 at 3,600	177 at 3,600
Torque, max. Nm at rpm	300 at 1,400-2,250	360 at 1,500-2,500	340 at 1,600-2,250	410 at 1,500-2,000	410 at 1,500-2,000
Fuel tank capacity	75 litres	75 litres	75 litres	75 litres	75 litres
AdBlue [®] tank capacity	18 litres	18 litres	18 litres	18 litres	18 litres
Diesel Particulate Filter [DPF]	●	●	●	●	●
6-speed manual gearbox	●	●	●	●	●
8-speed automatic gearbox	–	–	○	○	○
Front-wheel drive	●	–	●	–	●
Rear-wheel drive	–	●	–	○	–
4MOTION all-wheel drive	–	–	○	–	○
Alternator ¹	140 A or 180 A	140 A or 180 A	140 A or 180 A	140 A or 180 A	140 A or 180 A
Battery ²	92 Ah or 95 Ah	92 Ah or 95 Ah	92 Ah or 95 Ah	92 Ah or 95 Ah	92 Ah or 95 Ah

● Standard ○ Available – Not available.

1 Alternator rating depends on trimline and additional optional equipment fitted. 2 Battery rating depends on additional optional equipment fitted.

Chassis cabs fuel consumption, performance and emissions

Front wheel drive / 4MOTION Euro 6 RDE2

	RDE2 Compliant	CO ₂ emissions, g/km ¹ , Max. (worst case)	CO ₂ emissions, g/km ¹ , Min. (best case)	Combined fuel consumption mpg ¹ , Min. (worst case)	Combined fuel consumption mpg ¹ , Max. (best case)	Combined fuel consumption ltr/100 km ¹ , Max. (worst case)	Combined fuel consumption ltr/100 km ¹ , Min. (best case)	Top speed, mph where law permits
Single cab – Commerce medium wheelbase								
CR35	2.0TDI 140PS FWD 6-speed manual	Yes	298 – 252	24.8 – 29.4	11.4 – 9.6	84		
	2.0TDI 140PS FWD 8-speed automatic	Yes	331 – 270	22.4 – 27.4	12.6 – 10.3	84		
	2.0TDI 177PS FWD 6-speed manual	Yes	297 – 262	25.0 – 28.2	11.3 – 10.0	100		
	2.0TDI 177PS FWD 8-speed automatic	Yes	275 – TBC	TBC – 26.9	TBC – 10.5	98		
Single cab – Commerce long wheelbase								
CR35	2.0TDI 102PS FWD 6-speed manual	Yes	TBC – TBC	TBC – TBC	TBC – TBC	TBC		
	2.0TDI 140PS FWD 6-speed manual	Yes	302 – 254	24.6 – 29.1	11.5 – 9.7	84		
	2.0TDI 140PS FWD 8-speed automatic	Yes	334 – 273	22.2 – 27.2	12.7 – 10.4	84		
	2.0TDI 140PS 4MOTION 6-speed manual*	Yes	TBC – TBC	TBC – TBC	TBC – TBC	TBC		
	2.0TDI 177PS FWD 6-speed manual	Yes	303 – 263	24.4 – 28.2	11.6 – 10.0	100		
	2.0TDI 177PS FWD 8-speed automatic	Yes	277 – TBC	TBC – 26.6	TBC – 10.6	98		

	RDE2 Compliant	CO ₂ emissions, g/km ¹ , Max. (worst case)	CO ₂ emissions, g/km ¹ , Min. (best case)	Combined fuel consumption mpg ¹ , Min. (worst case)	Combined fuel consumption mpg ¹ , Max. (best case)	Combined fuel consumption ltr/100 km ¹ , Max. (worst case)	Combined fuel consumption ltr/100 km ¹ , Min. (best case)	Top speed, mph where law permits
Flatframe Chassis – Commerce medium wheelbase								
CR35	2.0TDI 163PS FWD 6-speed manual	Yes	TBC – 351	TBC – TBC	TBC – 13.4	96		
	2.0TDI 163PS FWD 8-speed automatic	Yes	TBC – 351	TBC – TBC	TBC – 13.4	95		
Flatframe Chassis – Commerce long wheelbase								
CR35	2.0TDI 163PS FWD 6-speed manual	Yes	TBC – 351	TBC – TBC	TBC – 13.4	96		
	2.0TDI 163PS FWD 8-speed automatic	Yes	TBC – 351	TBC – TBC	TBC – 13.4	95		
Double cab – Commerce medium wheelbase								
CR35	2.0TDI 140PS FWD 6-speed manual	Yes	281 – 260	26.4 – 28.5	10.7 – 9.9	93		
	2.0TDI 140PS FWD 8-speed automatic	Yes	313 – 280	23.5 – 26.4	12.0 – 10.7	91		
Double cab – Commerce long wheelbase								
CR35	2.0TDI 140PS FWD 6-speed manual	Yes	293 – 261	25.2 – 28.5	11.2 – 9.9	93		
	2.0TDI 140PS FWD 8-speed automatic	Yes	325 – 281	22.8 – 26.4	12.0 – 10.7	91		
	2.0TDI 177PS FWD 6-speed manual	Yes	295 – 267	25.2 – 27.7	11.2 – 10.2	100		

* 4MOTION available to order from stock only.

1 Figures shown are for comparability purposes; only compare fuel consumption and CO₂ figures with other vehicles tested to the same technical procedures. These figures may not reflect real life driving results, which will depend upon a number of factors including the accessories fitted (post-registration), variations in weather, driving styles and vehicle load. Data correct at 1.9.2022. Figures quoted are for a range of configurations (including non-UK) and are subject to change due to ongoing approvals/changes. Please consult your authorised Volkswagen Van Centre for further information.

RDE2 refers to Real Driving Emissions Step 2.

Volkswagen Commercial Vehicles is currently working on further developing the Crafter. Due to the current supply situation with semiconductors and the existing order bank, we cannot deliver Crafter models ordered now before the second quarter of 2024. According to our current plans, we will already be producing the further developed version of the Crafter at this time. As a result, we will not be able to deliver the vehicle illustrated in the configurator, or described in the contract at the time of order. The vehicle supplied will be the further developed model of the Crafter instead. The WLTP (Worldwide Harmonised Light Vehicle Test Procedure) consumption and range of the new Crafter are not yet available and may deviate from the currently stated value for the existing model. Please contact your Van Centre for more information as and when it becomes available.

Chassis cabs fuel consumption, performance and emissions (continued)

Front wheel drive / 4MOTION Euro 6 RDE2

		RDE2 Compliant	CO ₂ emissions, g/km ¹ , Max. (worst case)	CO ₂ emissions, g/km ¹ , Min. (best case)	Combined fuel consumption mpg ¹ , Min. (worst case)	Combined fuel consumption mpg ¹ , Max. (best case)	Combined fuel consumption ltr/100 km ¹ , Max. (worst case)	Combined fuel consumption ltr/100 km ¹ , Min. (best case)	Top speed, mph where law permits		RDE2 Compliant	CO ₂ emissions, g/km ¹ , Max. (worst case)	CO ₂ emissions, g/km ¹ , Min. (best case)	Combined fuel consumption mpg ¹ , Min. (worst case)	Combined fuel consumption mpg ¹ , Max. (best case)	Combined fuel consumption ltr/100 km ¹ , Max. (worst case)	Combined fuel consumption ltr/100 km ¹ , Min. (best case)	Top speed, mph where law permits	
Dropside										Tipper									
Single cab – Commerce medium wheelbase										Single cab – Commerce medium wheelbase									
CR35	2.0TDI 140PS FWD 6-speed manual	Yes	298 – 253		24.8 – 29.4		11.4 – 9.6	93		CR35	2.0TDI 140PS FWD 6-speed manual	Yes	298 – 271		24.8 – 29.4		11.4 – 9.6	93	
	2.0TDI 140PS FWD 8-speed automatic	Yes	331 – 271		22.4 – 27.4		12.6 – 10.3	84			2.0TDI 140PS FWD 8-speed automatic	Yes	331 – TBC		22.4 – 27.4		12.6 – 10.3	84	
Single cab – Commerce long wheelbase										Double cab – Commerce long wheelbase									
CR35	2.0TDI 140PS FWD 6-speed manual	Yes	302 – 254		24.6 – 29.1		11.5 – 9.7	93		CR35	2.0TDI 140PS FWD 6-speed manual	Yes	293 – 261		25.2 – 28.2		11.2 – 10.0	93	
	2.0TDI 140PS FWD 8-speed automatic	Yes	334 – 272		22.2 – 27.2		12.7 – 10.4	84			2.0TDI 140PS FWD 8-speed automatic	Yes	325 – 282		22.8 – 26.4		TBC – 10.7	91	
Double cab – Commerce long wheelbase										Luton									
CR35	2.0TDI 140PS FWD 6-speed manual	Yes	293 – 261		25.2 – 28.2		11.2 – 10.0	93		Single cab – Commerce long wheelbase									
	2.0TDI 140PS FWD 8-speed automatic	Yes	325 – 282		22.8 – 26.4		TBC – 10.7	91		CR35	2.0TDI 140PS FWD 6-speed manual	Yes	302 – 254		24.6 – 29.1		11.5 – 9.7	84	
										Single cab – Commerce long wheelbase with tail lift									
										CR35	2.0TDI 140PS FWD 6-speed manual	Yes	302 – 254		24.6 – 29.1		11.5 – 9.7	84	
											2.0TDI 140PS FWD 8-speed automatic	Yes	334 – 272		22.4 – 27.2		12.6 – 10.4	84	

1 Figures shown are for comparability purposes; only compare fuel consumption and CO₂ figures with other vehicles tested to the same technical procedures. These figures may not reflect real life driving results, which will depend upon a number of factors including the accessories fitted (post-registration), variations in weather, driving styles and vehicle load. Data correct at 1.9.2022. Figures quoted are for a range of configurations (including non-UK) and are subject to change due to ongoing approvals/changes. Please consult your authorised Volkswagen Van Centre for further information.

RDE2 refers to Real Driving Emissions Step 2.

Volkswagen Commercial Vehicles is currently working on further developing the Crafter. Due to the current supply situation with semiconductors and the existing order bank, we cannot deliver Crafter models ordered now before the second quarter of 2024. According to our current plans, we will already be producing the further developed version of the Crafter at this time. As a result, we will not be able to deliver the vehicle illustrated in the configurator, or described in the contract at the time of order. The vehicle supplied will be the further developed model of the Crafter instead. The WLTP (Worldwide Harmonised Light Vehicle Test Procedure) consumption and range of the new Crafter are not yet available and may deviate from the currently stated value for the existing model. Please contact your Van Centre for more information as and when it becomes available.

Chassis cabs fuel consumption, performance and emissions

Rear wheel drive / Euro VI HD

		Combined fuel consumption mpg (ltr/100km)	CO ₂ emissions g/km TO (WLTP)
Single cab - Commerce long wheelbase			
CR35	2.0TDI 163PS RWD 6-speed manual	21.6 / 12.9	330
	2.0TDI 163PS RWD 8-speed automatic	21.9 / 12.9	352
CR50	2.0TDI 163PS RWD 6-speed manual	22.4 / 12.6	339
	2.0TDI 163PS RWD 8-speed automatic	21.1 / 13.4	352
Single cab - Commerce long wheelbase Maxi			
CR35	2.0TDI 163PS RWD 6-speed manual	22.4 / 12.6	339
	2.0TDI 163PS RWD 8-speed automatic	21.1 / 13.4	352
Single cab - Commerce medium wheelbase Dropside			
CR35	2.0TDI 163PS RWD 8-speed automatic	22.4 / 12.9	339
Single cab - Commerce long wheelbase Dropside			
CR35	2.0TDI 163PS RWD 6-speed manual	22.4 / 12.9	339

Volkswagen Commercial Vehicles is currently working on further developing the Crafter. Due to the current supply situation with semiconductors and the existing order bank, we cannot deliver Crafter models ordered now before the second quarter of 2024. According to our current plans, we will already be producing the further developed version of the Crafter at this time. As a result, we will not be able to deliver the vehicle illustrated in the configurator, or described in the contract at the time of order. The vehicle supplied will be the further developed model of the Crafter instead. The WLTP (Worldwide Harmonised Light Vehicle Test Procedure) consumption and range of the new Crafter are not yet available and may deviate from the currently stated value for the existing model. Please contact your Van Centre for more information as and when it becomes available.

Working with you

The Crafter chassis cab offers professional transport solutions for all: we promise to work with you to tailor your new Crafter chassis cab and optimise the payload for your individual business requirements. Simply call your local Van Centre directly to discuss your needs.

Chassis cab weights

Engine/transmission	Gross vehicle weight, kg	Axle load limit, front/rear, kg	Trailer weight braked 12%/unbraked, kg	Gross train weight, kg	Unladen weight ¹ , kg	Payload ² , kg
Single cab – Commerce medium wheelbase						
CR35 2.0TDI 140PS FWD 6-speed manual	3,500	1,800 / 2,100	3,000 / 750	6,000	1,957	1,543
2.0TDI 140PS FWD 8-speed automatic	3,500	1,800 / 2,100	3,000 / 750	6,000	1,989	1,511
2.0TDI 163PS RWD 8-speed automatic	3,500	1,800 / 2,250	3,500 / 750	7,000	2,080	1,420
2.0TDI 177PS FWD 6-speed manual	3,500	1,800 / 2,100	3,000 / 750	6,000	1,966	1,534
2.0TDI 177PS FWD 8-speed automatic	3,500	1,800 / 2,100	3,000 / 750	6,000	1,998	1,502

1 Unladen weight includes approximately 90% fuel load and 75kg for driver.

2 Payload = gross vehicle weight minus unladen weight. Quoted weights are for vehicles with standard specification. Unladen weight and payload may be influenced by trimline, factory options and Van Centre fitted accessories. The minimum payload range includes base specification vehicle. The maximum payload range includes the removal of standard features. Please contact your local Volkswagen Van Centre for more details.

Chassis cab weights (continued)

Engine/transmission		Gross vehicle weight, kg	Axle load limit, front/rear, kg	Trailer weight braked 12%/unbraked, kg	Gross train weight, kg	Unladen weight ¹ , kg	Payload ² , kg
Single cab – Commerce long wheelbase							
CR35	2.0TDI 140PS FWD 6-speed manual	3,500	1,800 / 2,100	3,000 / 750	6,000	2,000	1,500
	2.0TDI 140PS FWD 8-speed automatic	3,500	1,800 / 2,100	3,000 / 750	6,000	2,032	1,468
	2.0TDI 163PS RWD 6-speed manual	3,500	1,800 / 2,250	3,500 / 750	7,000	2,091	1,409
	2.0TDI 163PS RWD 8-speed automatic	3,500	1,800 / 2,250	3,500 / 750	7,000	2,122	1,409
	2.0TDI 177PS FWD 6-speed manual	3,500	1,800 / 2,100	3,000 / 750	6,000	2,009	1,491
	2.0TDI 177PS FWD 8-speed automatic	3,500	1,800 / 2,100	3,000 / 750	6,000	2,041	1,459
CR50	2.0TDI 163PS RWD 6-speed manual	5,000	2,200 / 3,500	3,500 / 750	8,000	2,280	2,720
	2.0TDI 163PS RWD 8-speed automatic	5,000	2,200 / 3,500	3,500 / 750	8,000	2,122	1,378
Single cab – Commerce long wheelbase Maxi							
CR50	2.0TDI 163PS RWD 6-speed manual	3,500	2,200 / 3,500	3,500 / 750	8,000	2,280	2,720
	2.0TDI 163PS RWD 8-speed automatic	3,500	2,200 / 3,500	3,500 / 750	8,500	2,331	2,669
Double cab – Commerce medium wheelbase							
CR35	2.0TDI 140PS FWD 6-speed manual	3,500	1,800 / 2,100	2,800 / 750	6,000	2,045	1,380
	2.0TDI 140PS FWD 8-speed automatic	3,500	1,800 / 2,100	2,800 / 750	6,000	2,152	1,348
	2.0TDI 140PS RWD 6-speed manual	3,500	1,800 / 2,250	3,000 / 750	6,500	2,165	1,335
	2.0TDI 140PS 4MOTION 6-speed manual	3,500	1,800 / 2,100	2,800 / 750	6,000	2,241	1,259

1 Unladen weight includes approximately 90% fuel load and 75kg for driver.

2 Payload = gross vehicle weight minus unladen weight. Quoted weights are for vehicles with standard specification. Unladen weight and payload may be influenced by trimline, factory options and Van Centre fitted accessories. The minimum payload range includes base specification vehicle. The maximum payload range includes the removal of standard features. Please contact your local Volkswagen Van Centre for more details.

Chassis cab weights (continued)

Engine/transmission		Gross vehicle weight, kg	Axle load limit, front/rear, kg	Trailer weight braked 12%/unbraked, kg	Gross train weight, kg	Unladen weight ¹ , kg	Payload ² , kg
Double cab – Commerce long wheelbase							
CR35	2.0TDI 140PS FWD 6-speed manual	3,500	2,100 / 2,100	2,800 / 750	6,000	2,160	1,340
	2.0TDI 140PS FWD 8-speed automatic	3,500	2,100 / 2,100	2,800 / 750	6,000	2,192	1,308
	2.0TDI 140PS RWD 6-speed manual	3,500	2,100 / 2,250	3,000 / 750	6,500	2,216	1,284
	2.0TDI 140PS 4MOTION 6-speed manual	3,500	2,100 / 2,100	2,800 / 750	6,000	2,281	1,219
	2.0TDI 177PS FWD 6-speed manual	3,500	2,100 / 2,100	2,800 / 750	6,000	2,169	1,331
Flatframe Chassis							
Commerce medium wheelbase							
CR35	2.0TDI 163PS FWD 6-speed manual	3,500	1,800 / 2,100	N/A	N/A	1,823	1,677
	2.0TDI 163PS FWD 8-speed automatic	3,500	1,800 / 2,100	N/A	N/A	1,855	1,645
Commerce long wheelbase							
CR35	2.0TDI 163PS FWD 6-speed manual	3,500	1,800 / 2,100	N/A	N/A	1,840	1,660
	2.0TDI 163PS FWD 8-speed automatic	3,500	1,800 / 2,100	N/A	N/A	1,872	1,628

1 Unladen weight includes approximately 90% fuel load and 75kg for driver.

2 Payload = gross vehicle weight minus unladen weight. Quoted weights are for vehicles with standard specification. Unladen weight and payload may be influenced by trimline, factory options and Van Centre fitted accessories. The minimum payload range includes base specification vehicle. The maximum payload range includes the removal of standard features. Please contact your local Volkswagen Van Centre for more details.

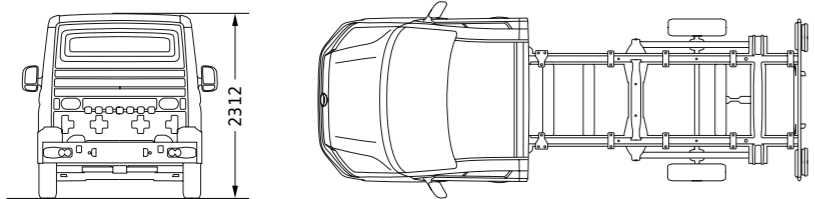
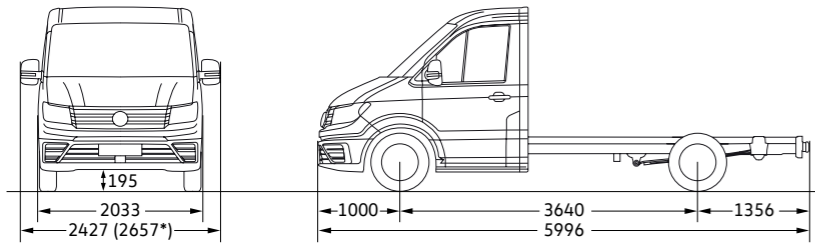
Completed chassis cab weights

Engine/transmission	Gross vehicle weight, kg	Axle load limit, front/rear, kg	Trailer weight braked 12%/unbraked, kg	Gross train weight, kg	Unladen weight ¹ , kg	Payload ² , kg
Dropside						
Single cab – Commerce medium wheelbase						
CR35 2.0TDI 140PS FWD 6-speed manual	3,500	2,100 / 2,100	3,000 / 750	6,000	2,232	1,268
2.0TDI 140PS FWD 8-speed automatic	3,500	2,100 / 2,100	3,000 / 750	6,000	2,264	1,236
2.0TDI 163PS RWD 6-speed manual	3,500	2,100 / 2,250	3,500 / 750	7,000	2,324	1,176
Single cab – Commerce long wheelbase						
CR35 2.0TDI 140PS FWD 6-speed manual	3,500	2,100 / 2,100	3,000 / 750	6,000	2,325	1,175
2.0TDI 140PS FWD 8-speed automatic	3,500	2,100 / 2,100	3,000 / 750	6,000	2,357	1,143
2.0TDI 163PS RWD 6-speed manual	3,500	2,100 / 2,250	3,000 / 750	7,000	2,416	1,084
Double cab – Commerce long wheelbase						
CR35 2.0TDI 140PS FWD 6-speed manual	3,500	2,100 / 2,100	2,800 / 750	6,000	2,441	1,059
2.0TDI 140PS FWD 8-speed automatic	3,500	2,100 / 2,100	2,800 / 750	6,000	2,473	1,027
Tipper						
Single cab – Commerce medium wheelbase						
CR35 2.0TDI 140PS FWD 6-speed manual	3,500	2,100 / 2,100	3,000 / 750	6,000	2,465	1,035
2.0TDI 140PS FWD 8-speed automatic	3,500	2,200 / 2,100	3,000 / 750	6,000	2,497	1,003
Double cab – Commerce long wheelbase						
CR35 2.0TDI 140PS FWD 6-speed manual	3,500	2,100 / 2,100	3,000 / 750	6,000	2,674	826
2.0TDI 140PS FWD 8-speed automatic	3,500	2,200 / 2,100	3,000 / 750	6,000	2,706	794
Luton						
Single cab – Commerce long wheelbase						
CR35 2.0TDI 140PS FWD 6-speed manual	3,500	2,100 / 2,100	3,000 / 750	6,000	2,631	869
2.0TDI 140PS FWD 8-speed automatic	3,500	2,200 / 2,100	3,000 / 750	6,000	2,663	837
Single cab – Commerce long wheelbase with tail lift						
CR35 2.0TDI 140PS FWD 6-speed manual	3,500	2,100 / 2,100	3,000 / 750	6,000	2,784	716
2.0TDI 140PS FWD 8-speed automatic	3,500	2,200 / 2,100	3,000 / 750	6,000	2,861	684

1 Unladen weight includes approximately 90% fuel load and 75kg for driver.

2 Payload = gross vehicle weight minus unladen weight. Quoted weights are for vehicles with standard specification. Unladen weight and payload may be influenced by trimline, factory options and Van Centre fitted accessories. The minimum payload range includes base specification vehicle. The maximum payload range includes the removal of standard features. Please contact your local Volkswagen Van Centre for more details.

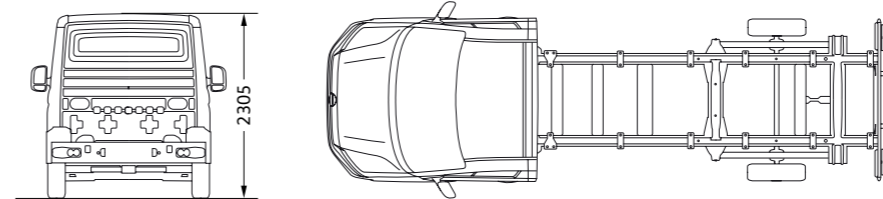
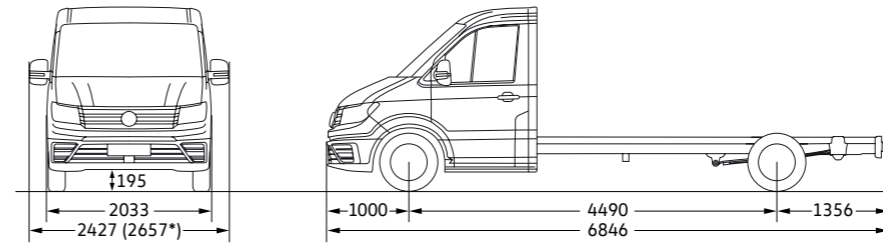
Chassis cab dimensions



* This value applies for the optional bow-mounted door mirror extensions.

CR35 single cab medium wheelbase.

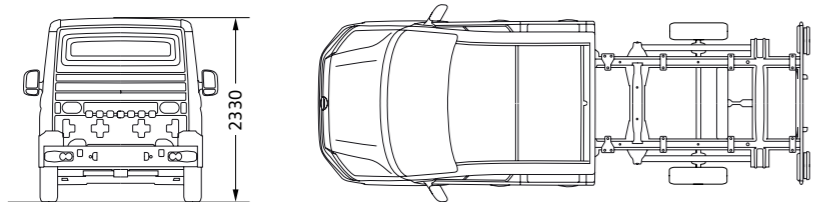
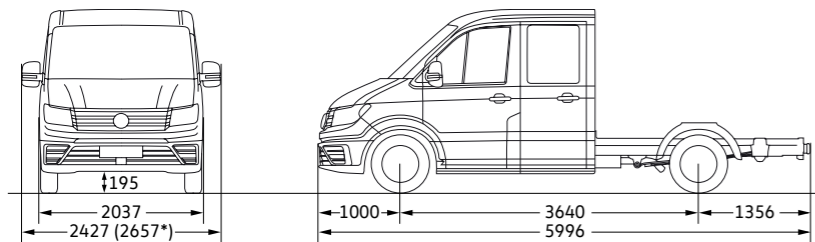
Wheelbase	3,640
Turning circle (wall to wall), m	13.6



* This value applies for the optional bow-mounted door mirror extensions.

CR35 single cab long wheelbase.

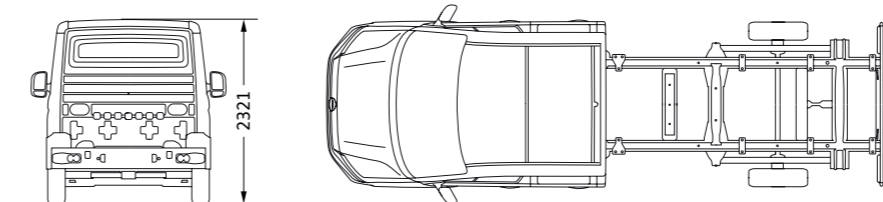
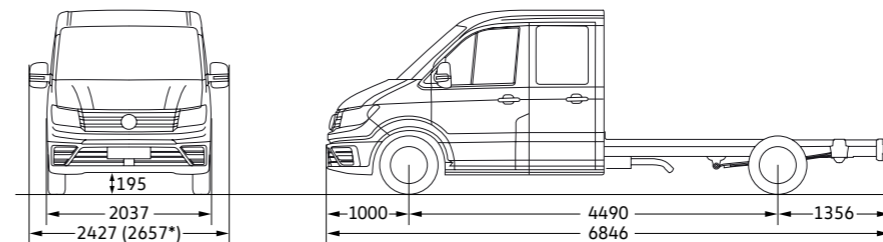
Wheelbase	4,490
Turning circle (wall to wall), m	16.2



* This value applies for the optional bow-mounted door mirror extensions.

CR35 double cab medium wheelbase.

Wheelbase	3,640
Turning circle (wall to wall), m	13.6



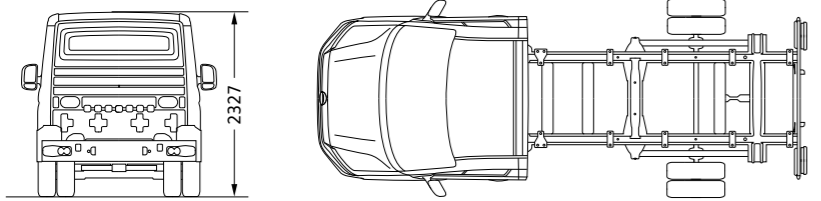
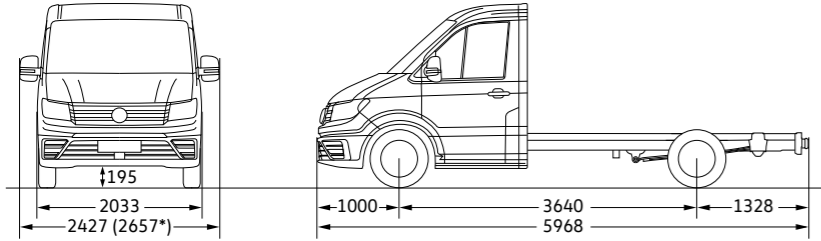
* This value applies for the optional bow-mounted door mirror extensions.

CR35 double cab long wheelbase.

Wheelbase	4,490
Turning circle (wall to wall), m	16.2

Please note: Vehicle drawings are not to scale. All dimensions in millimetres (mm), unless otherwise stated. The height measurements listed may vary by ± 40mm depending on model and equipment fitted.

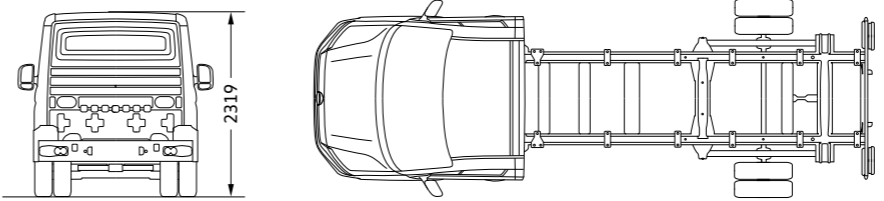
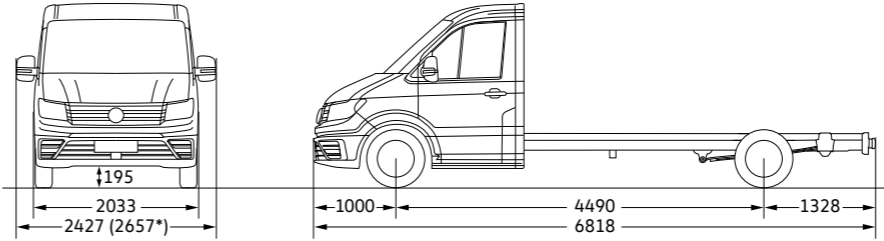
Chassis cab dimensions (continued)



* This value applies for the optional bow-mounted door mirror extensions.

CR50 single cab medium wheelbase.

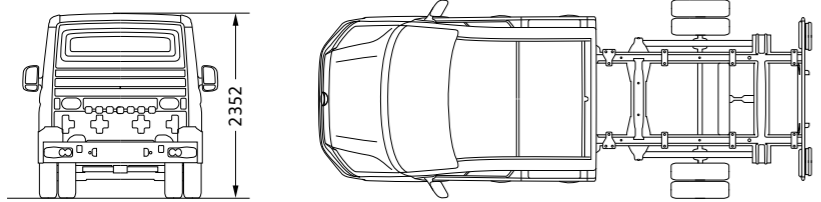
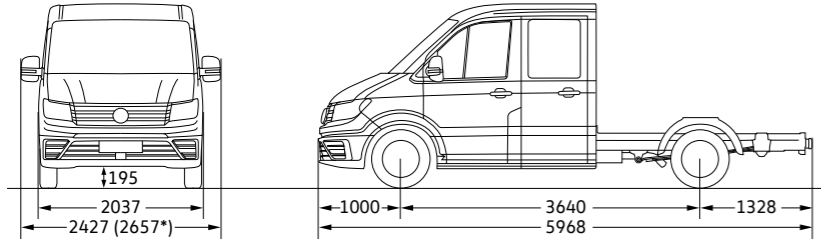
Wheelbase	3,640
Turning circle (wall to wall), m	13.6



* This value applies for the optional bow-mounted door mirror extensions.

CR50 single cab long wheelbase.

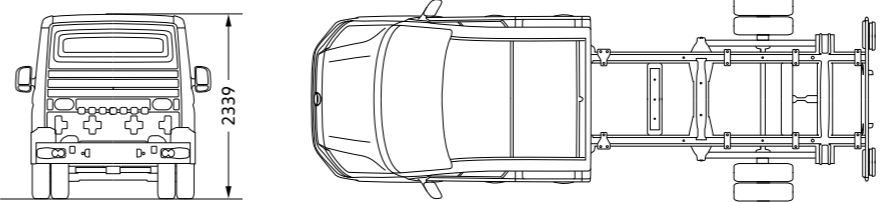
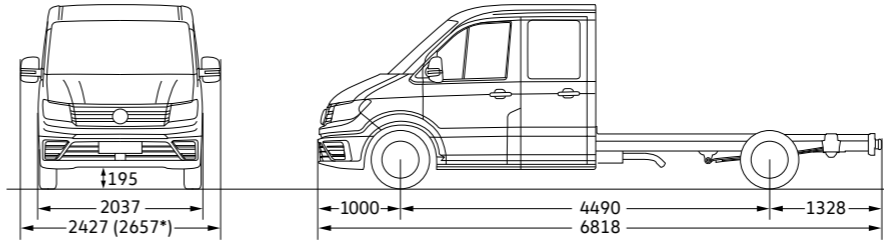
Wheelbase	4,490
Turning circle (wall to wall), m	16.2



* This value applies for the optional bow-mounted door mirror extensions.

CR50 double cab medium wheelbase.

Wheelbase	3,640
Turning circle (wall to wall), m	13.6



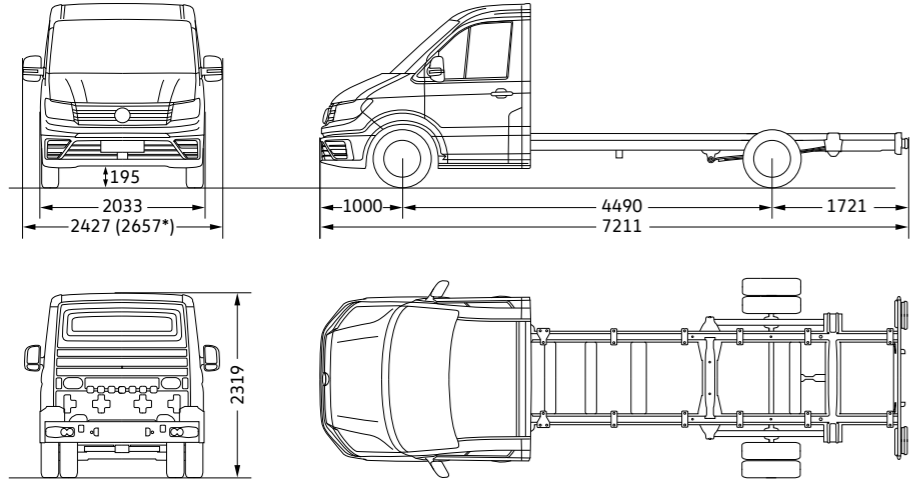
* This value applies for the optional bow-mounted door mirror extensions.

CR50 double cab long wheelbase.

Wheelbase	4,490
Turning circle (wall to wall), m	16.2

Please note: Vehicle drawings are not to scale. All dimensions in millimetres (mm), unless otherwise stated. The height measurements listed may vary by ± 40mm depending on model and equipment fitted.

Chassis cab dimensions (continued)



* This value applies for the optional bow-mounted door mirror extensions.

CR50 single cab long wheelbase Maxi.

Wheelbase	4,490
Turning circle (wall to wall), m	16.2

Please note: Vehicle drawings are not to scale. All dimensions in millimetres (mm), unless otherwise stated. The height measurements listed may vary by ± 40mm depending on model and equipment fitted.

Model prices



*Manufacturer's on the road (OTR) package

Model	CR30 and CR35	CR50
Delivery to Van Centre	£835.00	£835.00
Number plates	£20.00	£20.00
VAT	£171.00	£171.00
First registration fee	£55.00	£55.00
Road Fund Licence (12 Months)	£345.00	£171.00
Basic OTR price (exc. VAT)	£1,245.00	£1,081.00
Total OTR price (inc. VAT)	£1,416.00	£1,252.00

Volkswagen Commercial Vehicles may change RRP's at any time (this includes where there are government changes in regulation and/or legislation). There may be a delay to any RRP displaying correctly on our materials. Always obtain prices from your chosen authorised Van Centre.

Chassis cab model prices

Trimline	Engine/transmission/drive system	Basic exc. VAT	Total inc. VAT	Total RRP inc. OTR* exc. VAT	Total RRP inc. OTR* inc. VAT
Commerce medium wheelbase, single cab					
CR35	2.0TDI 140PS FWD 6-speed manual	£39,625.00	£47,550.00	£40,880.00	£48,976.00
	2.0TDI 140PS FWD 8-speed automatic	£41,815.00	£50,178.00	£43,070.00	£51,604.00
	2.0TDI 177PS FWD 6-speed manual	£41,835.00	£50,202.00	£43,090.00	£51,628.00
	2.0TDI 177PS FWD 8-speed automatic	£44,025.00	£52,830.00	£45,280.00	£54,256.00
	2.0TDI 163PS RWD 8-speed automatic	£43,480.00	£52,176.00	£44,735.00	£53,602.00

* Please [click here](#) for more details on manufacturer's on the road (OTR) package.

Volkswagen Commercial Vehicles may change RRP's at any time (this includes where there are government changes in regulation and/or legislation). There may be a delay to any RRP displaying correctly on our materials. Always obtain prices from your chosen authorised Van Centre.

Upgrade your Crafter Commerce chassis cab with a Business Pack and save £1,105.*

- Anti-theft alarm with interior monitoring, back-up horn and towing protection
- Climatic air conditioning system

* Saving against the cost of purchasing individual items.

FOR ONLY
£1,325
+ VAT

Find out more

Chassis cab model prices (continued)

Trimline	Engine/transmission/drive system	Basic exc. VAT	Total inc. VAT	Total RRP inc. OTR* exc. VAT	Total RRP inc. OTR* inc. VAT
Commerce long wheelbase, single cab					
CR35	2.0TDI 140PS FWD 6-speed manual	£41,475.00	£49,770.00	£42,730.00	£51,196.00
	2.0TDI 140PS FWD 8-speed automatic	£43,665.00	£52,398.00	£44,920.00	£53,824.00
	2.0TDI 177PS FWD 6-speed manual	£43,685.00	£52,422.00	£44,940.00	£53,848.00
	2.0TDI 177PS FWD 8-speed automatic	£45,875.00	£55,050.00	£47,130.00	£56,476.00
	2.0TDI 163PS RWD 6-speed manual	£43,140.00	£51,768.00	£44,395.00	£53,194.00
	2.0TDI 163PS RWD 8-speed automatic	£45,330.00	£54,396.00	£46,585.00	£55,822.00
CR50	2.0TDI 163PS RWD 6-speed manual	£46,555.00	£55,866.00	£47,636.00	£57,118.00
	2.0TDI 163PS RWD 8-speed automatic	£48,745.00	£58,494.00	£49,826.00	£59,746.00
Commerce long wheelbase Maxi, single cab					
CR50	2.0TDI 163PS RWD 6-speed manual	£47,650.00	£57,180.00	£48,731.00	£58,432.00
	2.0TDI 163PS RWD 8-speed automatic	£49,840.00	£59,808.00	£50,921.00	£61,060.00
Commerce medium wheelbase, double cab					
CR35	2.0TDI 140PS FWD 6-speed manual	£41,450.00	£49,740.00	£42,705.00	£51,166.00
	2.0TDI 140PS FWD 8-speed automatic	£43,640.00	£52,368.00	£44,895.00	£53,794.00

* Please [click here](#) for more details on manufacturer's on the road (OTR) package.

Volkswagen Commercial Vehicles may change RRP's at any time (this includes where there are government changes in regulation and/or legislation). There may be a delay to any RRP displaying correctly on our materials. Always obtain prices from your chosen authorised Van Centre.

Chassis cab model prices (continued)

Trimline	Engine/transmission/drive system	Basic exc. VAT	Total inc. VAT	Total RRP inc. OTR* exc. VAT	Total RRP inc. OTR* inc. VAT
Commerce long wheelbase, double cab					
CR35	2.0TDI 140PS FWD 6-speed manual	£43,300.00	£51,960.00	£44,555.00	£53,386.00
	2.0TDI 140PS FWD 8-speed automatic	£45,490.00	£54,588.00	£46,745.00	£56,014.00
	2.0TDI 177PS FWD 6-speed manual	£45,510.00	£54,612.00	£46,765.00	£56,038.00
Flatframe chassis					
Commerce medium wheelbase, single cab					
CR35	2.0TDI 140PS FWD 6-speed manual	£39,625.00	£47,550.00	£40,880.00	£48,976.00
	2.0TDI 140PS FWD 8-speed automatic	£41,815.00	£50,178.00	£43,070.00	£51,604.00
Commerce long wheelbase, single cab					
CR35	2.0TDI 140PS FWD 6-speed manual	£41,475.00	£49,770.00	£42,730.00	£51,196.00
	2.0TDI 140PS FWD 8-speed automatic	£43,665.00	£52,398.00	£44,920.00	£53,824.00

* Please [click here](#) for more details on manufacturer's on the road (OTR) package.

Volkswagen Commercial Vehicles may change RRP's at any time (this includes where there are government changes in regulation and/or legislation). There may be a delay to any RRP displaying correctly on our materials. Always obtain prices from your chosen authorised Van Centre.

Completed chassis cab model prices

Trimline	Engine/transmission/drive system	Basic exc. VAT	Total inc. VAT	Total RRP inc. OTR* exc. VAT	Total RRP inc. OTR* inc. VAT
Dropside					
Commerce medium wheelbase, single cab					
CR35	2.0TDI 140PS FWD 6-speed manual	£44,180.00	£53,016.00	£45,435.00	£54,442.00
	2.0TDI 140PS FWD 8-speed automatic	£46,370.00	£55,644.00	£47,625.00	£57,070.00
Commerce long wheelbase, single cab					
CR35	2.0TDI 140PS FWD 6-speed manual	£46,030.00	£55,236.00	£47,285.00	£56,662.00
	2.0TDI 140PS FWD 8-speed automatic	£48,220.00	£57,864.00	£49,475.00	£59,290.00
	2.0TDI 163PS RWD 6-speed manual	£47,695.00	£57,234.00	£48,950.00	£58,660.00
Commerce long wheelbase, double cab					
CR35	2.0TDI 140PS FWD 6-speed manual	£47,155.00	£56,586.00	£48,410.00	£58,012.00
	2.0TDI 140PS FWD 8-speed automatic	£49,315.00	£59,178.00	£50,570.00	£60,604.00
Tipper					
Commerce medium wheelbase, single cab					
CR35	2.0TDI 140PS FWD 6-speed manual	£46,585.00	£55,902.00	£47,840.00	£57,328.00
	2.0TDI 140PS FWD 8-speed automatic	£48,775.00	£58,530.00	£50,030.00	£59,956.00

* Please [click here](#) for more details on manufacturer's on the road (OTR) package.

Volkswagen Commercial Vehicles may change RRP's at any time (this includes where there are government changes in regulation and/or legislation). There may be a delay to any RRP displaying correctly on our materials. Always obtain prices from your chosen authorised Van Centre.

Completed chassis cab model prices

Trimline	Engine/transmission/drive system	Basic exc. VAT	Total inc. VAT	Total RRP inc. OTR* exc. VAT	Total RRP inc. OTR* inc. VAT
Luton					
Commerce long wheelbase, single cab					
CR35	2.0TDI 140PS FWD 6-speed manual	£49,630.00	£59,556.00	£50,885.00	£60,982.00
	2.0TDI 140PS FWD 8-speed automatic	£51,820.00	£62,184.00	£53,075.00	£63,610.00
Commerce long wheelbase, single cab with tail lift					
CR35	2.0TDI 140PS FWD 6-speed manual	£52,705.00	£63,246.00	£53,960.00	£64,672.00
	2.0TDI 140PS FWD 8-speed automatic	£54,895.00	£65,874.00	£56,150.00	£67,300.00
ETG					
Commerce medium wheelbase, double cab					
CR35	2.0TDI 140PS FWD 6-speed manual	£47,855.00	£57,426.00	£49,110.00	£58,852.00
	2.0TDI 140PS FWD 8-speed automatic	£50,045.00	£60,054.00	£51,300.00	£61,480.00
Commerce long wheelbase, double cab					
CR35	2.0TDI 140PS FWD 6-speed manual	£50,260.00	£60,312.00	£51,515.00	£61,738.00
	2.0TDI 140PS FWD 8-speed automatic	£52,450.00	£62,940.00	£53,705.00	£64,366.00

* Please [click here](#) for more details on manufacturer's on the road (OTR) package.

Volkswagen Commercial Vehicles may change RRP's at any time (this includes where there are government changes in regulation and/or legislation). There may be a delay to any RRP displaying correctly on our materials. Always obtain prices from your chosen authorised Van Centre.

Chassis cab options

Commerce
Single/Double cab

Paint	PR Code	Van	Basic exc. VAT	Total RRP inc. VAT
Solid. Bright Orange (E3E3) ¹ , Candy White (B4B4), Cherry Red (4B4B), Deep Ocean (OPOP), Ascot Grey (6U6U).	As shown	Chassis cab	○	○
Metallic. Indium Grey (X3X3), Oyster Silver (F0F0).	As shown	Chassis cab	£1,310.00	£1,572.00
Pearl effect. Deep Black (2T2T).	As shown	Chassis cab	£1,410.00	£1,692.00
Interior trim				
Seat trim covers in Leatherette - Mesh. Seats in Palladium-Titanium Black/dashboard upper-lower Titanium Black-Palladium/floor covering in Pearl Grey.	NOC	Chassis cab	£55.00	£66.00
Seat trim covers in Austin fabric. Seats in Titanium Black/dashboard upper-lower in Titanium Black-Palladium/flooring in Pearl Grey.	NOL	Chassis cab	●	●
Seat trim covers in Robust fabric. Seats in Palladium-Titanium Black/dashboard upper-lower Titanium Black-Palladium/floor covering in Pearl Grey.	N1C	Chassis cab	£145.00	£174.00
Seat trim covers in Memphis fabric. Seats in Titanium Black/dashboard upper-lower in Titanium Black-Palladium/flooring in Pearl Grey.	N2C	Chassis cab	£25.00	£30.00
Interior trim colour				
Seats in Titanium Black/dashboard upper-lower in Titanium Black-Palladium/flooring in Pearl Grey. Seats in Titanium Black/dashboard upper-lower in Titanium Black-Palladium/flooring in Pearl Grey.	AS	Chassis cab	●	●
Seats in Palladium-Titanium Black/dashboard upper-lower Titanium Black-Palladium/floor covering in Pearl Grey.	AL	Chassis cab	○	○
Seating options				
Comfort single driver's seat. With longitudinal seat adjustment, adjustable backrest, height adjustment, 2-way lumbar support, adjustable seat cushion angle and a single armrest on the inner side.	3SE	Chassis cab	£220.00	£264.00
Comfort plus single driver's seat. With longitudinal seat adjustment, adjustable backrest, height adjustment, 4-way electronic lumbar support, adjustable seat cushion angle and a two armrests.	3SF	Chassis cab	£315.00	£378.00
Basic single driver's.	3SH	Chassis cab	●	●
ergoActive driver's seat. Including massage function.	3SK	Chassis cab	£445.00	£534.00
ergoComfort driver's seat.	3SP	Chassis cab	£370.00	£444.00
Without passenger seat.	3TA	Chassis cab	○	○
Comfort single passenger seat.	3TE	Chassis cab	○	○
Comfort plus single passenger seat.	3TF	Chassis cab	£250.00	£300.00
Basic single passenger seat.	3TH	Chassis cab	-£245.00	-£294.00

● Standard – Not available ○ At no extra cost

Where additional equipment is required by chosen options, this will be at additional cost. See the relevant option for recommended pricing or consult your local authorised Van Centre. Some options may not be compatible with other options. To check the availability of your chosen options, please use our configurator or consult your local authorised Van Centre.

¹ Bright Orange – this comes without the standard painted trim panel in the bumper.

Volkswagen Commercial Vehicles may change RRP's at any time (this includes where there are government changes in regulation and/or legislation). There may be a delay to any RRP displaying correctly on our materials. Always obtain prices from your chosen authorised Van Centre.

Chassis cab options (continued)

Commerce
Single/Double cab

Seating options (continued)

	PR Code	Van	Basic exc. VAT	Total RRP inc. VAT
Dual passenger seat in cab with underseat storage.	3TJ	Chassis cab	○	○
ergoActive passenger seat. Including massage function.	3TK	Chassis cab	£330.00	£396.00
ergoComfort passenger seat.	3TP	Chassis cab	£245.00	£294.00
Dual passenger seat in cab with storage compartment and folding tray in backrest.	3TS	Chassis cab	●	●
Without seats in second row.	3UA	Chassis cab	○	○
Heated driver's seat.	4A1	Chassis cab	£300.00	£360.00
Heated driver's & front passenger seats.	4A3	Chassis cab	£370.00	£444.00

Wheel and tyre accessories

Wheel Trims.	1ND	Chassis cab	£75.00	£90.00
Lockable wheel bolts.	1PB	Chassis cab	£25.00	£30.00
16" steel wheels. 6.5J x 16 with 1,050kg load in Black.	C1G	Chassis cab	○	○
Continental tyres.	VOF	Chassis cab	£35.00	£42.00
Michelin tyres.	VOG	Chassis cab	£35.00	£42.00
Hankook tyres.	VOQ	Chassis cab	£35.00	£42.00
Maxxis tyres.	VOW	Chassis cab	£35.00	£42.00
All-weather tyres. Only for CR35 models.	VG1	Chassis cab	£215.00	£258.00
Winter tyres.	VG2	Chassis cab	£215.00	£258.00

● Standard - Not available ○ At no extra cost

Where additional equipment is required by chosen options, this will be at additional cost. See the relevant option for recommended pricing or consult your local authorised Van Centre.

Some options may not be compatible with other options. To check the availability of your chosen options, please use our configurator or consult your local authorised Van Centre.

Detailed information regarding tyre efficiency labelling and technical specifications on all potential tyre fitments can be found by visiting the Volkswagen Commercial Vehicles online car configurator at www.volkswagen-vans.co.uk/en/configurator.html

Volkswagen Commercial Vehicles may change RRP's at any time (this includes where there are government changes in regulation and/or legislation). There may be a delay to any RRP displaying correctly on our materials. Always obtain prices from your chosen authorised Van Centre.

Chassis cab options (continued)

Commerce
Single/Double cab

Audio and communications

E-Call + We Connect Basic preparation.

Composition Colour with 6.5" touch-screen including We Connect Plus preparation. USB interface, 4 speakers (2 tweeters and 2 woofers), multi-function display plus, mobile phone interface, App-Connect and We Connect.

Discover Media Navigation system with 8" touch-screen - Including We Connect Plus preparation. USB interface, 4 speakers (2 tweeters and 2 woofers), multi-function display plus, mobile phone interface, App-Connect and We Connect.

Discover Media Navigation system with 8" touch-screen with streaming and internet - Including We Connect Plus preparation. USB interface, 4 speakers (2 tweeters and 2 woofers), multi-function display plus, mobile phone interface, App-Connect and We Connect.

DAB Digital Radio.

PR Code	Van	Basic exc. VAT	Total RRP inc. VAT
R22	Chassis cab	●	●
Z65	Chassis cab	●	●
Z67	Chassis cab	£900.00	£1,080.00
Z68	Chassis cab	£1,540.00	£1,848.00
QV3	Chassis cab	●	●

Comfort and convenience

Glove compartment - illuminated with lockable lid.

Without interior light in passenger/load compartment.

Smokers package: 12-V outlet with cigarette lighter, ashtray, and 2 beverage holders in dashboard.

Step illumination - with on/off control.

Overhead storage compartment with two 1-DIN slot and reading light.

Business pack. Includes KH6 Climatic air con and 7AQ Alarm system.

Lights & Vision pack A. Includes auto-dimming rear-view mirror, automatic headlights with daytime running lights and windscreen wiper and intermittent control with rain sensors.

Exterior mirrors w/ brace (registration possib. as of bodywork width of 2 160mm) and position lamps on roof.

Convex exterior mirrors with large brace (left and right), for 2200mm maximum bodywork width.

Multi function steering wheel. Manual models.

Leather wrapped multi function steering wheel - heated. Manual models.

Leather wrapped multi function steering wheel. Automatic models.

Leather wrapped multi function steering wheel - heated. Automatic models.

4Z3	Chassis cab	●	●
9CA	Chassis cab	○	○
9JC	Chassis cab	£35.00	£42.00
9N2	Chassis cab	£55.00	£66.00
QE4	Chassis cab	●	●
W57	Chassis cab	£1,325.00	£1,590.00
ZA3	Chassis cab	£260.00	£312.00
ZB1	Chassis cab	£120.00	£144.00
ZB2	Chassis cab	£65.00	£78.00
2FB	Chassis cab	●	●
2FM	Chassis cab	£325.00	£390.00
2FE	Chassis cab	●	●
2FT	Chassis cab	£325.00	£390.00

● Standard – Not available ○ At no extra cost

Where additional equipment is required by chosen options, this will be at additional cost. See the relevant option for recommended pricing or consult your local authorised Van Centre. Some options may not be compatible with other options. To check the availability of your chosen options, please use our configurator or consult your local authorised Van Centre.

Volkswagen Commercial Vehicles may change RRP's at any time (this includes where there are government changes in regulation and/or legislation). There may be a delay to any RRP displaying correctly on our materials. Always obtain prices from your chosen authorised Van Centre.

Chassis cab options (continued)

Commerce
Single/Double cab

Comfort and convenience (continued)	PR Code	Van	Basic exc. VAT	Total RRP inc. VAT
4 remote control folding keys.	8QL	Chassis cab	£75.00	£90.00
Heated washer nozzles in front.	8X3	Chassis cab	£45.00	£54.00
High Beam Assist.	8G1	Chassis cab	£125.00	£150.00
LED headlights with separate LED daytime running lights.	8IT	Chassis cab	£1,075.00	£1,290.00
Basic assistance package. Electronic cruise control system (8T2), Speed limiter and predictive speed limiter (LT2).	PVA	Chassis cab	£365.00	£438.00
Advanced assistance package. Adaptive cruise control - with stop/go for Automatic trans (8T3), Semi-auto driving assistance, Travel Assist incl. Lane Assist (6I2), Speed limiter and predictive speed limiter (LT2).	PVD	Chassis cab	£1,035.00	£1,242.00
Front fog lights with cornering function.	8WH	Chassis cab	£270.00	£324.00
Preparation for rear view camera system.	KA8	Chassis cab	£30.00	£36.00
Lights & Vision pack B. Includes auto-dimming rear-view mirror, automatic headlights with daytime running lights and windscreen wiper and intermittent control with rain sensors and High Beam Assist.	ZLS	Chassis cab	£390.00	£468.00
Body and chassis				
Driver door, reinforced (hinge).	OD3	Chassis cab	£60.00	£72.00
Without nameplates for model and engine.	ONA	Chassis cab	£0.00	£0.00
Drive-under protection, rear.	OS1	Chassis cab	£115.00	£138.00
Drive-under protection, rear and side.	OS3	Chassis cab	£325.00	£390.00
Drive-under protection, side.	OS4	Chassis cab	£170.00	£204.00
Uprated suspension/shock absorption in front and rear.	1BJ	Chassis cab	£180.00	£216.00
Towbar - fixed.	1D1	Chassis cab	£675.00	£810.00
Towbar - removable ball with 13-pin socket.	1D2	Chassis cab	£830.00	£996.00
Towbar - preparation with control unit.	1D7	Chassis cab	£230.00	£276.00
Towbar - preparation with bracket socket and cable.	1D8	Chassis cab	£550.00	£660.00
Differential Lock. 4M Only.	1Y4	Chassis cab	£650.00	£780.00

● Standard - Not available ○ At no extra cost

Where additional equipment is required by chosen options, this will be at additional cost. See the relevant option for recommended pricing or consult your local authorised Van Centre. Some options may not be compatible with other options. To check the availability of your chosen options, please use our configurator or consult your local authorised Van Centre.

Volkswagen Commercial Vehicles may change RRP's at any time (this includes where there are government changes in regulation and/or legislation). There may be a delay to any RRP displaying correctly on our materials. Always obtain prices from your chosen authorised Van Centre.

Chassis cab options (continued)

Commerce
Single/Double cab

Body and chassis (continued)	PR Code	Van	Basic exc. VAT	Total RRP inc. VAT
Fuel factory fill increase (23 l).	1Z2	Chassis cab	£25.00	£30.00
Suspension and shock absorbers, standard - uprated heavy-duty stabilizers.	2MF	Chassis cab	£105.00	£126.00
Suspension and shock absorbers, uprated heavy-duty stabilizers. Standard on Dropside, Tipper and Luton.	2MG	Chassis cab	£320.00	£384.00
Wheel chock, single.	2NB	Chassis cab	£20.00	£24.00
Wheel chock, pair.	2NC	Chassis cab	£40.00	£48.00
Ladder carrier, front panel.	5GQ	Chassis cab	○	○
Ladder carrier, rear.	5GR	Chassis cab	○	○
Ladder carrier, front and rear.	5GS	Chassis cab	○	○
Electric liftgate preparation. Only in combination with a second battery, Air conditioning and various different terminal blocks at an extra cost.	5S4	Chassis cab	£105.00	£126.00
Preparation for mechanic and electric liftgate.	5S8	Chassis cab	£230.00	£276.00
Mudflaps - front.	6N3	Chassis cab	£55.00	£66.00
Position lamps (front on the roof and clearance marker lamp in the taillamps).	6S3	Chassis cab	£55.00	£66.00
Wing mirrors: electrically heated and adjustable.	6XN	Chassis cab	£115.00	£138.00
Wing mirrors; heated, power adjustable and folding.	6XP	Chassis cab	£325.00	£390.00
Side marker lights.	8F1	Chassis cab	●	●
Rear combination lamps with extended cable.	8SE	Chassis cab	£35.00	£42.00
Preparation for LED rear combination lamp with extended cable.	8SX	Chassis cab	£35.00	£42.00
Preparation for rear combination lamp, with extended cable.	8SY	Chassis cab	£35.00	£42.00
Preparation for additional turn signals.	9H2	Chassis cab	£35.00	£42.00
Rotating emergency light preparation.	9LX	Chassis cab	£40.00	£48.00
Without end crossmember.	AT0	Chassis cab	○	○
End crossmember, narrow design with L = 1 149 mm and H = 225 mm, bolted.	AT2	Chassis cab	£50.00	£60.00
End crossmember, wide design with L = 1 899 mm and H = 258 mm, bolted.	AT4	Chassis cab	●	●
Front axle - heavy duty (CR35 2,100kg, CR50 2,200kg load). Standard on Dropside, Tipper and Luton & CR50.	VV8	Chassis cab	£305.00	£366.00

● Standard – Not available ○ At no extra cost

Where additional equipment is required by chosen options, this will be at additional cost. See the relevant option for recommended pricing or consult your local authorised Van Centre. Some options may not be compatible with other options. To check the availability of your chosen options, please use our configurator or consult your local authorised Van Centre.

Volkswagen Commercial Vehicles may change RRP's at any time (this includes where there are government changes in regulation and/or legislation). There may be a delay to any RRP displaying correctly on our materials. Always obtain prices from your chosen authorised Van Centre.

Chassis cab options (continued)

Commerce
Single/Double cab

Electrical	PR Code	Van	Basic exc. VAT	Total RRP inc. VAT
Additional 12v sockets, two - in cab and load compartment.	7B7	Chassis cab	£55.00	£66.00
Run Lock.	7U4	Chassis cab	£600.00	£720.00
Second AGM battery with cut-off relay 92Ah 520A. This option is only in combination various different Terminal blocks and functions controls at an additional cost.	8FB	Chassis cab	£365.00	£438.00
Second battery with cut-off relay 95Ah 450A. This option is only in combination various different Terminal blocks and functions controls at an additional cost.	8FD	Chassis cab	£365.00	£438.00
Second AGM battery with cut-off relay and battery monitoring 92Ah 520A. This option is only in combination various different Terminal blocks and functions controls at an additional cost.	8FE	Chassis cab	£420.00	£504.00
Second battery with cut-off relay and battery monitoring 95Ah 450A. This option is only in combination various different Terminal blocks and functions controls at an additional cost.	8FK	Chassis cab	£420.00	£504.00
Second alternator with 180 A. This option is only in combination with Climatic air con nd various different Terminal blocks and functions controls at an additional cost.	8HI	Chassis cab	£715.00	£858.00
Battery - main switch.	9BE	Chassis cab	£105.00	£126.00
Tachograph preparation.	9NF	Chassis cab	£380.00	£456.00
Tachograph - digital (Smart TCO 2.0). Standard on CR50. A tachograph is installed in the additional console mounted on the dashboard. Data such as the driven speeds, driving and rest periods are saved on the instrument's internal driver card. A driver card must be inserted into the device for use.	9NI	Chassis cab	£725.00	£870.00
With plug socket(s) in front.	EU4	Chassis cab	£55.00	£66.00
Acoustic warning when reverse gear is engaged, deactivatable.	IL2	Chassis cab	£300.00	£360.00
CFCU Preparation.	IP4	Chassis cab	●	●
Terminal block.	IS1	Chassis cab	£80.00	£96.00
Basic CFCU with terminal block and bodybuilder configuration.	IS2	Chassis cab	£420.00	£504.00
Basic CFCU with terminal block and telematics preparation. Includes bodybuilder configuration.	IS3	Chassis cab	£675.00	£810.00
AGM battery (92 Ah, 520 A) starter battery upgrade.	NY2	Chassis cab	£45.00	£54.00
AGM battery (95 Ah, 520 Ah) and stronger generator (180 A).	NY4	Chassis cab	£335.00	£402.00
AGM battery (95 Ah, 520 A) starter battery.	NY5	Chassis cab	£105.00	£126.00
DPF regeneration switch.	9HC	Chassis cab	£230.00	£276.00

● Standard – Not available ○ At no extra cost

Where additional equipment is required by chosen options, this will be at additional cost. See the relevant option for recommended pricing or consult your local authorised Van Centre. Some options may not be compatible with other options. To check the availability of your chosen options, please use our configurator or consult your local authorised Van Centre.

Volkswagen Commercial Vehicles may change RRP's at any time (this includes where there are government changes in regulation and/or legislation). There may be a delay to any RRP displaying correctly on our materials. Always obtain prices from your chosen authorised Van Centre.

Chassis cab options (continued)

Commerce
Single/Double cab

Heating and ventilation	PR Code	Van	Basic exc. VAT	Total RRP inc. VAT
Second heat exchanger, air outlet first row of seats.	6AB	Chassis cab	£1,020.00	£1,224.00
Water auxiliary heater - with programmable parking heater and remote control.	7VL	Chassis cab	£1,080.00	£1,296.00
Additional water heater (5 kW).	9M5	Chassis cab	£630.00	£756.00
Climatic air conditioning in the cab. The manual "Climatic" air conditioning system offers the following functions: Temperature control, continuously adjustable. The blower speed can be set in 4 different levels (level 0: blower and Climatic is switched off, level 4: highest blower speed). Air distribution in four zones, continuously adjustable (windscreen, windscreen and footwell, footwell, head and upper body area). Air recirculation mode. Defrost function: air is distributed over the interior surface of the windscreen to clear the fogged or iced-up windscreen as quickly as possible. AC: cooling mode can be switched on or off. Rear windscreen heating: works when the engine is running and automatically switches itself off within 10 minutes. The selection between warm or cold is approximate. It is not possible to set a specific degree of temperature.	KH6	Chassis cab	£1,680.00	£2,016.00
Safety and security				
Automatic Post-Collision Braking.	1AS	Chassis cab	●	●
First aid kit and warning triangle.	1T3	Chassis cab	£30.00	£36.00
Warning light, warning triangle and first aid kit.	1T6	Chassis cab	£45.00	£54.00
Warning triangle.	1T8	Chassis cab	£50.00	£60.00
First aid kit with warning triangle and safety vest.	1T9	Chassis cab	£30.00	£36.00
Airbag - driver's and passenger's airbag with front passenger's airbag deactivation.	4UF	Chassis cab	●	●
Airbag's - side and curtain for driver and front passenger. Upon activation, the head airbag inflates vertically downwards and positions itself in front of the side window like a curtain. Side airbags protect the head and upper body. They support the effect of all constructional design measures incorporated in the bodywork (e.g. door reinforcements) to protect the vehicle occupants in the event of a side impact. The side airbags are integrated in the backrest of the seats and inflate between the door trim and the driver or front passenger. DOUBLE CAB ONLY.	4X3	Chassis cab	£1,020.00	£1,224.00

● Standard – Not available ○ At no extra cost

Where additional equipment is required by chosen options, this will be at additional cost. See the relevant option for recommended pricing or consult your local authorised Van Centre. Some options may not be compatible with other options. To check the availability of your chosen options, please use our configurator or consult your local authorised Van Centre.

Volkswagen Commercial Vehicles may change RRP's at any time (this includes where there are government changes in regulation and/or legislation). There may be a delay to any RRP displaying correctly on our materials. Always obtain prices from your chosen authorised Van Centre.

Upgrade with the Business Pack.

You can drive away in an upgraded Volkswagen Crafter chassis cab for less thanks to the Business Pack. The discounted pack features air-conditioning and an alarm for as little as £1,325 +VAT. That's a saving for you and your business.



Chassis cab options (continued)

Commerce
Single/Double cab

Safety and security (continued)

Airbag's - side and curtain for driver. Upon activation, the head airbag inflates vertically downwards and positions itself in front of the side window like a curtain. Side airbags protect the head and upper body. They support the effect of all constructional design measures incorporated in the bodywork (e.g, door reinforcements) to protect the vehicle occupants in the event of a side impact. The side airbag for the driver is integrated in the backrest of the driver's seat and inflates between the door trim and the driver. **DOUBLE CAB ONLY.**

Speed warning system. The speed alert function (AGCC) generates a warning signal for the driver if the driver exceeds 75mph.

Anti-theft alarm system - with interior monitoring, back-up horn and tow-away protection with overhead storage compartment with two 1-DIN slot and reading light.

Speed limiter 55mph.

Speed limiter 62mph.

Speed limiter 74mph.

2 remote control folding key.

Speed control.

Speed regulator, electronic and variable.

PR Code	Van	Basic exc. VAT	Total RRP inc. VAT
4X6	Chassis cab	£865.00	£1,038.00
6Y1	Chassis cab	£110.00	£132.00
7AQ	Chassis cab	£750.00	£900.00
7H1	Chassis cab	£110.00	£132.00
7H2	Chassis cab	£110.00	£132.00
7H3	Chassis cab	£110.00	£132.00
8QJ	Chassis cab	●	●
US1	Chassis cab	£145.00	£174.00
US2	Chassis cab	£145.00	£174.00

Windows

Heated windscreen.

Rear window including rear view mirror.

4GX	Chassis cab	£270.00	£324.00
ZHF	Chassis cab	£155.00	£186.00

● Standard – Not available ○ At no extra cost

Where additional equipment is required by chosen options, this will be at additional cost. See the relevant option for recommended pricing or consult your local authorised Van Centre. Some options may not be compatible with other options. To check the availability of your chosen options, please use our configurator or consult your local authorised Van Centre.

Volkswagen Commercial Vehicles may change RRP's at any time (this includes where there are government changes in regulation and/or legislation). There may be a delay to any RRP displaying correctly on our materials. Always obtain prices from your chosen authorised Van Centre.

Upgrade with the Business Pack.

You can drive away in an upgraded Volkswagen Crafter chassis cab for less thanks to the Business Pack. The discounted pack features air-conditioning and an alarm for as little as £1,325 +VAT. That's a saving for you and your business.



Accessories

100% safety and security. 100% Volkswagen.

Add extra security, protection and practicality to your new Crafter chassis cab, while still keeping it 100% Volkswagen. Our range of rugged and long-lasting Accessories are a perfect match for fit and allow you to truly customise your vehicle. Whether you want added technology or need extra flexibility with a sturdy towbar, there's something in our Accessories range for you. And remember, most Accessories include a two-year warranty for added peace-of-mind.



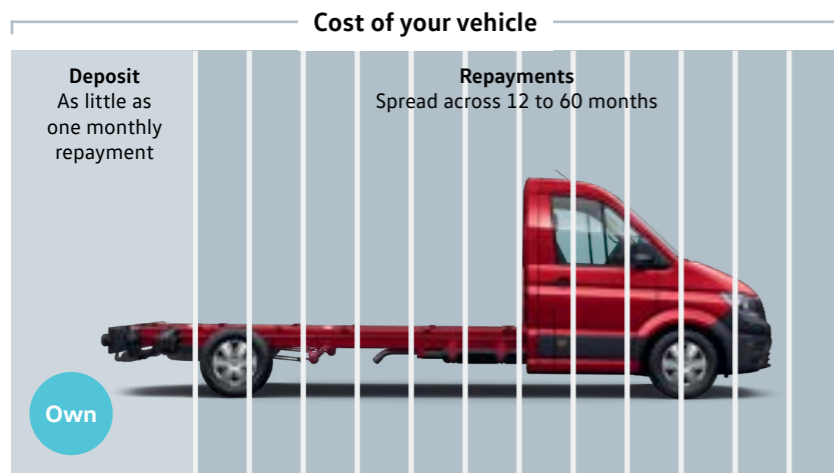
Illustrations may include options at extra charge. Please contact your local Volkswagen Commercial Vehicles Van Centre for details of the standard equipment and optional extras available.

Want to discover more?
Pop into your nearest Van Centre
or call **0800 717 131.**

Finance made simple

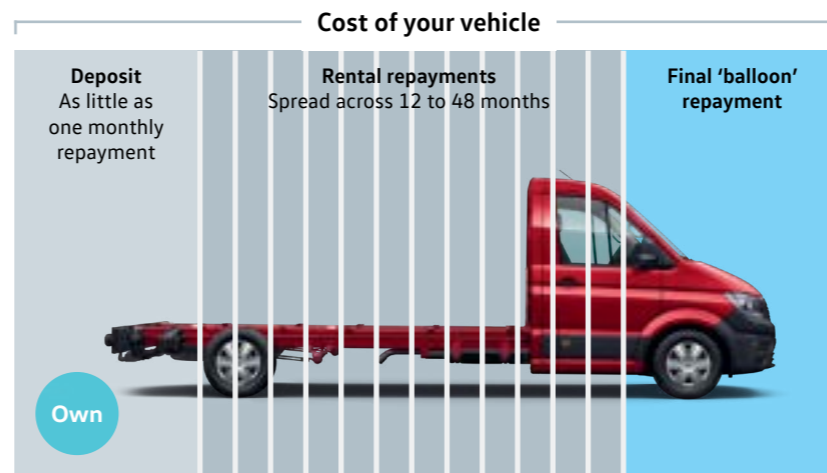
As dedicated to finance as we are to your new Crafter chassis cab

Learn more about our range of finance products to find a finance package that suits your budget. Alternatively, 'Click on' the Offers & Finance button above to find out more about our latest offers to help your business thrive.



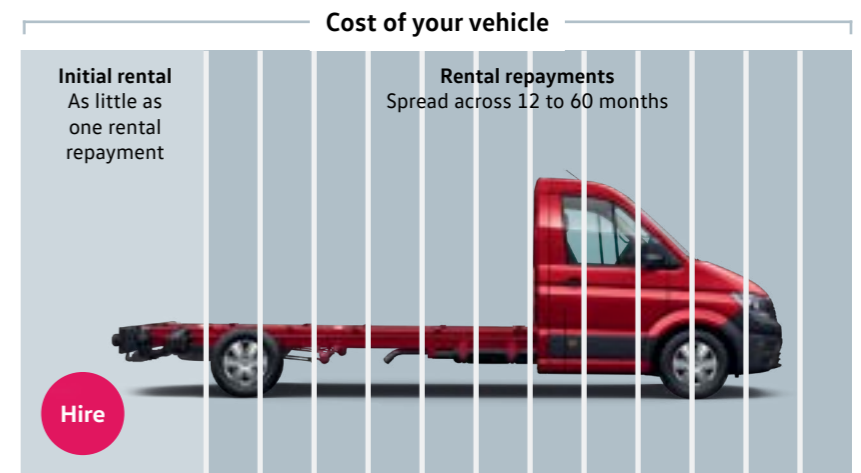
Hire Purchase

Make all the regular monthly payments. At the end the vehicles is yours.



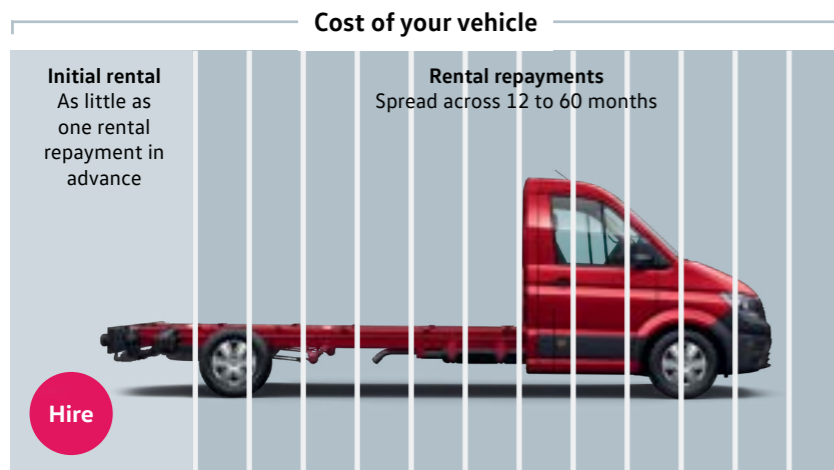
Lease Purchase

Make lower monthly payments by deferring an amount until the end. Once paid the vehicle is yours.



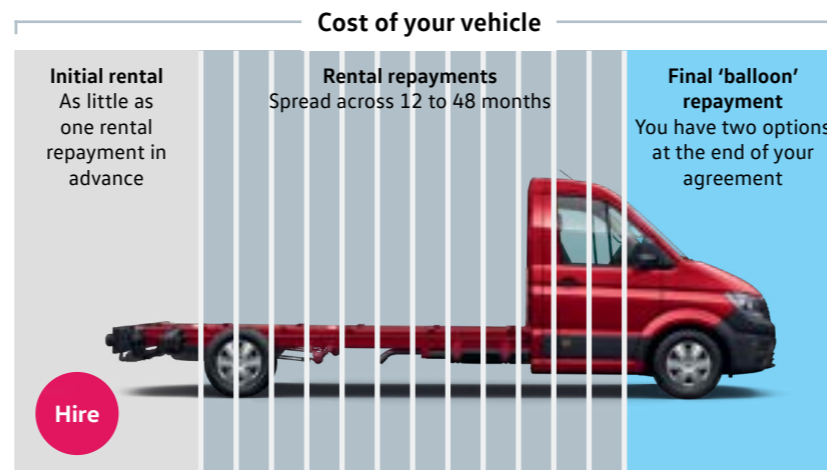
Contract Hire

Pay fixed monthly rentals to hire the vehicle. Look after it so at the end you can return it hassle free.



Finance Lease (full pay out)

Pay monthly rentals to hire the vehicle. At the end you have two options. Sell the vehicle and receive a percentage of the sale proceeds. Or retain the use of your vehicle by paying a reduced annual rental.



Finance Lease (balloon repayment)

Pay monthly rentals to hire the vehicle. At the end you have two options. Sell the vehicle to settle the outstanding amount and receive any excess sale proceeds. Or pay the 'balloon' payment and retain the use of your vehicle by paying a reduced annual rental.

Illustrations include options at extra charge. Please contact your local Volkswagen Commercial Vehicles Van Centre for details of the standard equipment and optional extras applicable in your country.

Finance subject to status. Available to 18s and over in the UK only. Terms and Conditions apply. Volkswagen Commercial Vehicle Financial Services.

Exterior	Interior	Drive systems	Assistance systems	Crafter chassis cab	Completed chassis cabs	Crafter Bodies & Conversions	Flatframe chassis cab	Business Pack	Equipment	Paint & upholstery	Infotainment & connectivity	Technical information	Price list	Accessories	Finance options	Finance, insurance, servicing & warranties
----------	----------	---------------	--------------------	---------------------	------------------------	------------------------------	-----------------------	---------------	-----------	--------------------	-----------------------------	-----------------------	------------	-------------	------------------------	--

Finance, insurance, servicing and warranties

Finance¹ and insurance.³

When it comes to paying for your van, we've got options including Contract Hire and Finance Lease, or Hire Purchase. We can also offer you insurance products with lots of features and benefits included as standard.

A choice of packages.²

Whether you prefer to lease your vehicles, with none of the concerns of ownership and the freedom to change models easily, or purchase outright to own the vehicle that's perfect for your business, we're here to help you consider your options.

You can go flexible, by choosing a payment plan that suits your finances, with options to reduce your monthly costs and your repayment period. Or choose a fixed monthly price that allows you to budget confidently for the longer term.

You can even include your road tax and servicing costs to arrive at one simple, all-inclusive payment. For more information, pick up a finance brochure, or ask at your Van Centre.

Volkswagen Commercial Vehicle Van Insurance.³

Annual Insurance

Comprehensive van insurance, designed specifically for Volkswagen Commercial Vehicles, to offer you maximum convenience with minimum hassle – just as you'd expect.

If you take out a new Volkswagen Commercial Vehicle Van Insurance policy you will receive the following benefits at no additional cost:

- All repairs are carried out by Volkswagen Commercial Vehicles Trained Technicians in Volkswagen Commercial Vehicles Authorised Repairers
- Genuine parts and accessories (excludes windscreen claims)
- Courtesy van while yours is being repaired
- Cover for the full cost of repairs to chips or other small damage to your windscreen
- Up to 90 days' foreign use travel cover, if you're driving in any of the countries listed in your policy booklet
- Up to £250 cover for personal belongings that are lost or damaged following an accident, fire or theft

For more information or to get a quote, call us on: **0345 877 6355**

We're available Monday to Friday 9am-6pm.

Alternatively, visit: www.insurewithwvcv.co.uk/van-insurance

Servicing and support.

We're here to keep your business moving, with our range of three award-winning⁴ servicing and maintenance options, as well as free Roadside Assistance. Some exclusions apply. For more detail, please visit: www.volkswagen-vans.co.uk/aftersales

Fixed cost maintenance.

This option is available for vehicles that are less than twelve months old and have covered less than 10,000 miles. It makes budgeting easier by splitting the cost of servicing into fixed monthly payments – whether you want Service only; Service and Maintenance; or Service, Maintenance and Tyres.

Service plans.⁵

Designed to keep you on the road, you can plan ahead and cover your next two services with a Service Plan. With the same pricing across all eligible models, we've made paying for your first two services as easy as possible with the option to pay upfront or spread the cost over 24 months.

Pay on demand.

If you're looking for freedom and flexibility with your servicing, it's good to know we're ready when you are. So with our third option, you can choose to pay for your services as and when you need them, with our National Service Pricing. Ask your Van Centre for an up-to-date pricing guide.

Roadside Assistance.

We understand the need to keep you mobile. That's why all new vans come with three-year, unlimited mileage roadside cover. Should the unexpected happen, one call gets you straight through to a team trained to help you through any breakdown or accident. Supporting you every day will be a team of vehicle technicians, fully-trained by Volkswagen and carrying the latest diagnostic equipment, specialist tools and parts.

Assistance benefits include:

- Assistance at home, by the roadside or place of work.
- Recovery to your preferred location.
- Onward travel, for you and your cargo.
- Cover 24 hours a day, 365 days a year.
- Free cover for three years (on new vehicles).
- Unlimited mileage.
- European cover.
- Option to extend cover beyond three years.

Warranties.

You can count on us long after you purchase your new Crafter chassis cab, thanks to its comprehensive three-year unlimited mileage warranty. You choose Volkswagen because your business depends on it, year in, year out. While your new Crafter chassis cab is under warranty, we'll fix any defect in manufacture or workmanship free of charge, even if you purchase and service the vehicle at different Van Centres. Some exclusions apply and the vehicle must be cared for using the guidance in your owner's manual.

For more detail, please visit www.volkswagen-vans.co.uk/aftersales.

Extended warranty.

You can also extend your warranty beyond the standard warranty period, choosing either Comprehensive or Major Component cover, as a one-off or monthly payment.

For more detail of cover levels, along with terms and conditions, please visit www.volkswagencvwarranty.co.uk where you'll also be able to obtain a quote and purchase an extended warranty.

Paint and body warranty.

Your new Crafter chassis cab's exterior paintwork is covered against manufacturing defects for a period of three years, while its body sections and panels are covered against rusting through from the inside for twelve years. Some exclusions apply and the vehicle must be cared for using the guidance in your owner's manual.

¹ Volkswagen Commercial Vehicles Insurance and Volkswagen Commercial Vehicle Financial Services are trading names of Volkswagen Financial Services (UK) Limited, Brunswick Court, Yeomans Drive, Blakelands, Milton Keynes MK14 5LR, which is authorised and regulated by the Financial Conduct Authority (FCA). Registered in England and Wales number: 2835230. Volkswagen Financial Services (UK) Limited financial services register number is 311988.

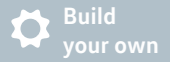
² An offer of finance depends on certain conditions. Finance subject to status. Available to 18s and over. Terms and conditions apply. Volkswagen Commercial Vehicle Financial Services.

³ Volkswagen Commercial Vehicle Insurance is arranged by U K Insurance Business Solutions Limited and is underwritten by U K Insurance Limited. Calls may be recorded. Volkswagen Commercial Vehicle Financial Services is a trading name of Volkswagen Financial Services (UK) Limited ("VWFS UK"), registered in England and Wales No.2835230 (registered office: Brunswick Court, Yeomans Drive, Blakelands, Milton Keynes MK14 5LR). Until 31st October 2022 Volkswagen Insurance Service (Great Britain) Ltd operates as an appointed representative of VWFS UK, after this date all references to Volkswagen Insurance Service (Great Britain) Ltd should instead be read as VWFS UK. VWFS UK is authorised and regulated by the Financial Conduct Authority. VWFS UK and U K Insurance Limited are not part of the same corporate group.

⁴ Business Vans Awards 2014 and 2015: Best Service Package for Van Owners.

⁵ Covers first two consecutive services for vehicles under 1 year old, limited to 1 x Oil Service, 1 x Oil and Inspection Service and 1 x Pollen Filter.

Exterior	Interior	Drive systems	Assistance systems	Crafter chassis cab	Completed chassis cabs	Crafter Bodies & Conversions	Flatframe chassis cab	Business Pack	Equipment	Paint & upholstery	Infotainment & connectivity	Technical information	Price list	Accessories	Finance options	Finance, insurance, servicing & warranties
----------	----------	---------------	--------------------	---------------------	------------------------	------------------------------	-----------------------	---------------	-----------	--------------------	-----------------------------	-----------------------	------------	-------------	-----------------	--



Build
your own



Find a
Tour Centre



Test drive



Offers &
Finance



Conversions



The Crafter chassis cab

This brochure supersedes all previous publications.

Issue: 1 October 2025

www.volkswagen-vans.co.uk

Please note: Screen technology does not allow exact reproduction of the paint and upholstery colours. Some of the vehicles shown are European specification and may be fitted with optional equipment or accessories that are available at extra cost, or do not reflect current specification. All data and specifications are in accordance with information available at the time of publication and are subject to change without notice. Vehicles not currently in UK stock and customer order vehicles may take a number of weeks for delivery. Certain combinations of vehicle specifications and factory-fitted options are not compatible and therefore all orders received are subject to confirmation. Models, factory fitted-options and paint and upholstery options are subject to availability. Please check details and availability with an authorised Volkswagen Van Centre at the time of ordering.