

5 PLUS
PROMISE

5 SERVICES + 3 MOTs

5 YEARS' WARRANTY

5 YEARS' ROADSIDE ASSIST



The Amarok Brochure



Commercial
Vehicles



This is Amarok

The pick-up by Volkswagen Commercial Vehicles

The Amarok is here, making a clear statement for its drivers:
all roads are the destination.

Fundamentally reimagined, the Amarok defines the premium segment at Volkswagen Commercial Vehicles with its modern technology and redesigned styling.

No matter where or when, the Amarok, equipped with 20 new driving assistance systems, offers more support than any of its predecessors.

Vehicle shown may not reflect UK specification.

This is Versatility

A new kind of multi-tool for every task

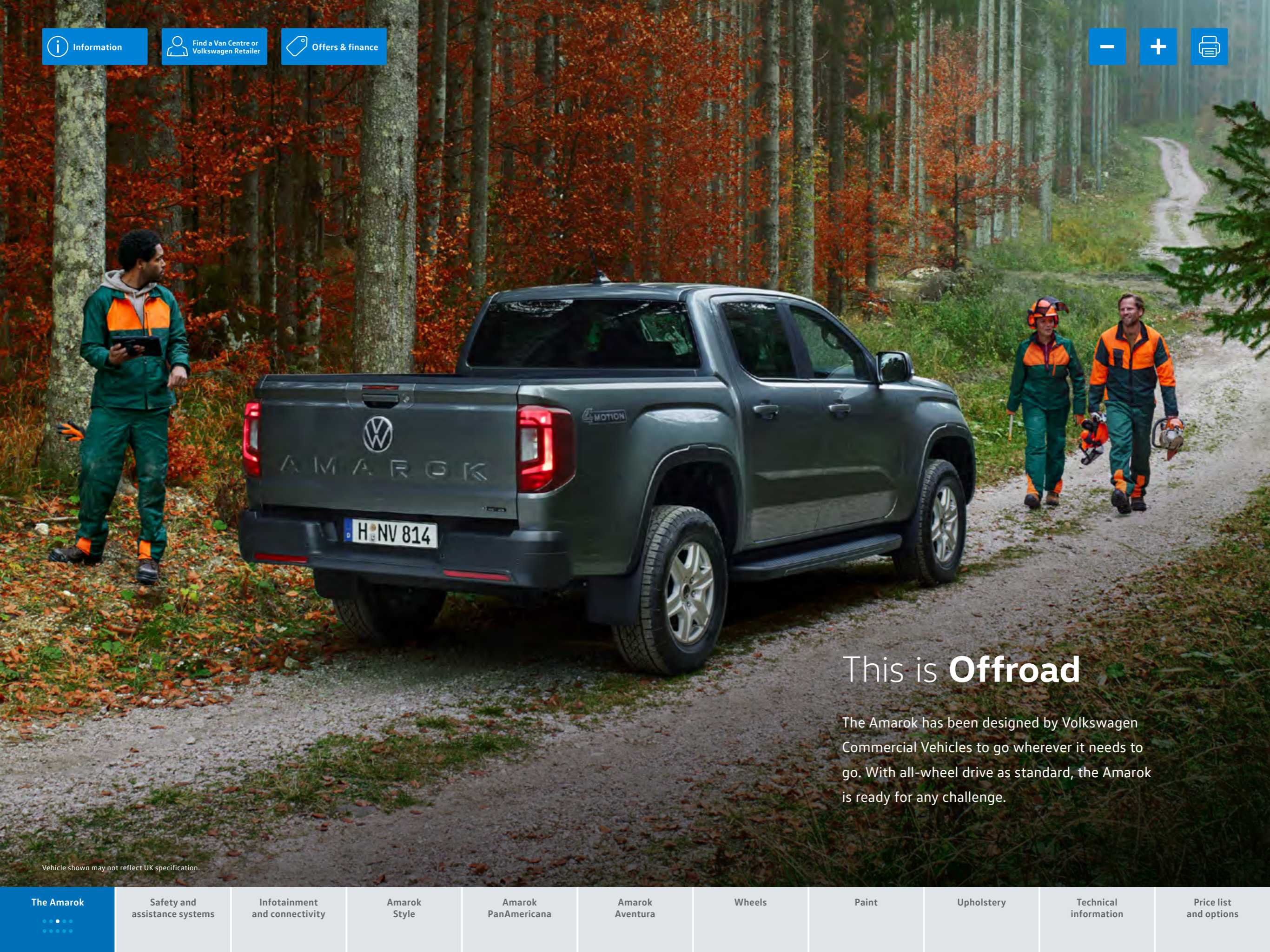
The Amarok masters every task you can throw at it, with a payload of up to 1.13 tonnes and a 3.5-tonne towing capacity. It also features new drive, assist and control systems, as well as a cargo box with more utility than ever. All this, coupled with the typical robustness of a pick-up, makes this second-generation Amarok the ideal ultra-modern multi-tool – wherever the road takes you.



Six different driving modes
The Amarok comes as standard with a 'Drive Mode Control' system. Depending on configuration, there are up to six drive modes: 'Eco', 'Normal', 'Mud/ruts', 'Sand', 'Slippery' and 'Load/trailer'. Depending on the mode selected, the steering power and steering behaviour, stability control and slip control, drive train response, gearbox control system and selectable all-wheel drive settings are all co-ordinated and optimised.

Vehicle shown may not reflect UK specification.


The Amarok	Safety and assistance systems	Infotainment and connectivity	Amarok Style	Amarok PanAmericana	Amarok Aventura	Wheels	Paint	Upholstery	Technical information	Price list and options
-------------------	-------------------------------	-------------------------------	--------------	---------------------	-----------------	--------	-------	------------	-----------------------	------------------------



This is Offroad

The Amarok has been designed by Volkswagen Commercial Vehicles to go wherever it needs to go. With all-wheel drive as standard, the Amarok is ready for any challenge.

Vehicle shown may not reflect UK specification.

<p>The Amarok</p> 	<p>Safety and assistance systems</p>	<p>Infotainment and connectivity</p>	<p>Amarok Style</p>	<p>Amarok PanAmericana</p>	<p>Amarok Aventura</p>	<p>Wheels</p>	<p>Paint</p>	<p>Upholstery</p>	<p>Technical information</p>	<p>Price list and options</p>
--	--------------------------------------	--------------------------------------	---------------------	----------------------------	------------------------	---------------	--------------	-------------------	------------------------------	-------------------------------



Vehicles shown may not reflect UK specification.



Longer wheelbase

The Amarok is 5,350mm long – 96mm longer than its predecessor. A wheelbase of 3,270mm corresponds to an increase of 173mm – which means there is more space in the crew cab. Since the wheelbase is now longer in proportion to the overall length, the body overhangs are reduced. This adds to an increased slope angle and a better off-road capability.

An adaptable transmission

The Amarok has the right answer for almost every driving situation. It also has the right transmission for almost every drive preference: from rear-wheel drive to selectable and permanent all-wheel drive. Three different diesels with four to six cylinders and 2.0 to 3.0 litres of displacement ensure the right strength development.

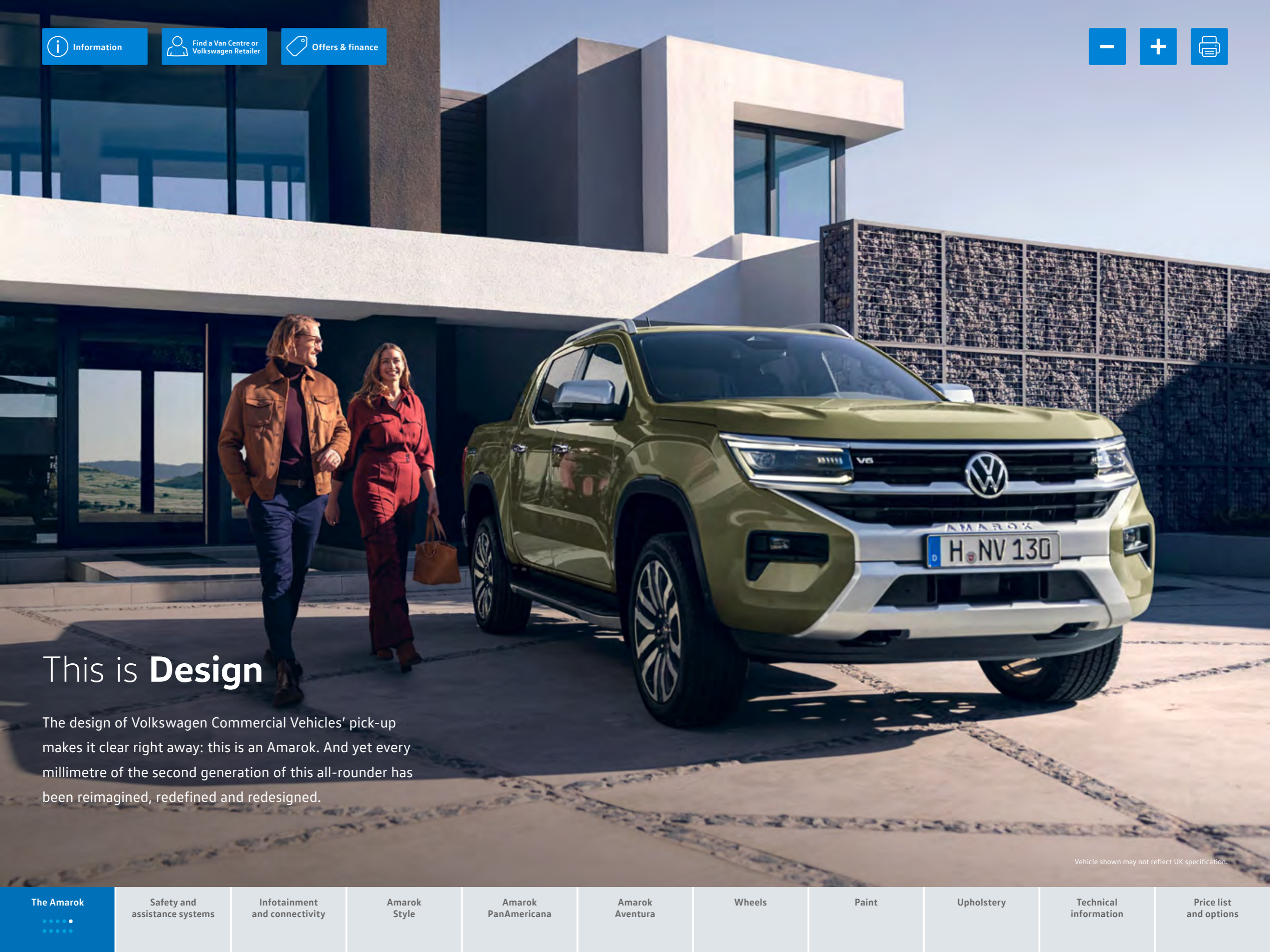
More driving modes, more driving comfort

The preconfigured driving modes are new and come in many variations to support drivers in special off-road situations in several stages. More than 30 assistance systems*, over 20 of which are completely new on-board the Amarok, provide additional driving comfort on request.

Fording depth of 800mm

Thanks to an 800mm fording depth – 300mm more than its predecessor – off-road fans can now immerse themselves even more fully in the world of off-road capability.

*Dependent on trim specification. Images shown are for illustrative purposes only.



This is **Design**

The design of Volkswagen Commercial Vehicles' pick-up makes it clear right away: this is an Amarok. And yet every millimetre of the second generation of this all-rounder has been reimagined, redefined and redesigned.

Vehicle shown may not reflect UK specification.

<p>The Amarok</p> <p>.....</p>	<p>Safety and assistance systems</p>	<p>Infotainment and connectivity</p>	<p>Amarok Style</p>	<p>Amarok PanAmericana</p>	<p>Amarok Aventura</p>	<p>Wheels</p>	<p>Paint</p>	<p>Upholstery</p>	<p>Technical information</p>	<p>Price list and options</p>
--------------------------------	--------------------------------------	--------------------------------------	---------------------	----------------------------	------------------------	---------------	--------------	-------------------	------------------------------	-------------------------------



The Amarok is defined by clear, powerful contours and a slightly wider stance, providing a higher slope angle for improved off-road capability and presenting a confident, rugged appearance.

Its perfected body proportions ensure optimised driving characteristics on-road and off-road, while different expressive front designs offer a high degree of individualisation.

Images shown are for illustrative purposes only.

The Amarok	Safety and assistance systems	Infotainment and connectivity	Amarok Style	Amarok PanAmericana	Amarok Aventura	Wheels	Paint	Upholstery	Technical information	Price list and options
-------------------	-------------------------------	-------------------------------	--------------	---------------------	-----------------	--------	-------	------------	-----------------------	------------------------

Cabin

Digital functions and analogue operation

The Amarok's premium exterior design is matched by a high-quality, fully redesigned interior. From the materials used, to its ingenious operating concept and superior connectivity, the pick-up's interior ambience is truly top-of-the-range.

Key interior features

More legroom in the second row of seats thanks to the increased vehicle length

First-class seating and operating comfort combined with intelligent infotainment and state-of-the-art driver assistance systems

Many innovative equipment features, including the up to 12.3-inch Digital Cockpit, heated leather multifunction steering wheel, vertical touch colour display with up to 12-inch screen, USB-A and USB-C interfaces, Harman Kardon sound system with 8 loudspeakers, inductive charging function and background lighting

Robust and ergonomically perfectly designed and positioned control keys, push-buttons and rotary controls



Function keys as well as an on/off button and volume control for the infotainment system (from the Style onwards with chrome-look surround), 12-volt socket, USB-A and USB-C interface, and a mobile phone storage compartment (from the Style onwards with inductive charging function, otherwise optional) in the storage compartment below the touch colour display.

Images shown are for illustrative purposes only.



Load capability

The Amarok's loading area features lashing eyes and a 1,621mm load length. A range of load bed accessories, including electric roll top, hard tops and load liners, make the Amarok even more practical than before.

Its towing weight of 3.5t is for all automatic transmissions. There is also sufficient space on the loading area between the wheel housings for a Euro pallet to be loaded crosswise, which can be lashed in place with sturdy eyelets.

Vehicles shown may not reflect UK specification.

Large cargo box and up to 1.1 tonnes payload

The Amarok's maximum payload is up to a substantial 1.1 tonnes. It is also strikingly spacious behind the double cab in the cargo box. As was the case on the previous model, the cargo bed between the wheel arches has, at 1,227mm, enough room for a Euro pallet loaded sideways or lengthways. In order to make loading and unloading easier, there is also an LED light fitted in each of the cargo box's side walls (included as standard on the PanAmericana and Aventura).

Load/trailer driver mode

This driver mode assists the driver by modifying the automatic transmission when the Amarok is being driven with a full load and/or a trailer. In this mode changing up a gear doesn't happen until a relatively high engine speed is reached in order to utilise the full output/power of the turbocharged engines. It is also possible in 'Load/trailer' mode to use the engine braking effect in a more targeted way - through changing down a gear the braking effect then becomes all the more intensive the harder the driver presses on the brake pedal.

Robust lashing rings

The load is secured via lashing rings on the cargo bed and in the side walls of the cargo box. There are three fixed load-lashing rings on each side of the cargo box. The six rings have a total tensile load capacity of 400kg.



Images shown are for illustrative purposes only.

The Amarok

Now with the 5 Plus Promise included

The Amarok, the latest pick-up from Volkswagen comes with our 5 Plus Promise as standard. Featuring 5 services + 3 MOTs, 5 years' Warranty and 5 years' Roadside Assistance for added peace of mind.



5 PLUS PROMISE

- 5 SERVICES + 3 MOTs
- 5 YEARS' WARRANTY
- 5 YEARS' ROADSIDE ASSIST

Covers first 5 consecutive services, limited to: 5 x Oil & Inspection Service with 2 x Pollen Filter, 3 x MOTs. Additional work, including wear and tear, is excluded. Warranty: earlier of 5 years or 124,000 miles. Servicing must be carried out in line with the requirements of the service schedule and all servicing and warranty work must be carried out at a Volkswagen Commercial Vehicle Authorised Repairer. Warranty exclusions apply (including shorter warranty period for components subject to wear and tear, mechanical adjustments (6 months/6,500 miles) and windscreen (1 month/600 miles). Roadside assistance: excludes costs of parts, garage, labour or other costs in excess of specified limits. Other limitations & exclusions apply. See Roadside Assistance Handbook for full details https://www.volkswagen-vans.co.uk/idhub/content/dam/onehub_nfz/importers/gb/downloads/roadside_assistance_handbook.pdf. Servicing & MOTs administered by Volkswagen Commercial Vehicle Financial Services. Warranty administered by Volkswagen Commercial Vehicles UK. Roadside assistance administered by AA.

New driver assistance systems

The Amarok brings plenty of state-of-the-art, innovative driver assistance systems to the world of pick-ups, offering class-leading comfort and safety. Many of the new advanced driver assistance innovations come as standard from the Amarok equipment line onwards, with plenty of other optional equipment to choose from.

Rear Traffic Alert

Rear Traffic Alert provides visual and audible warnings of vehicles approaching the Amarok from behind, thanks to rear radar sensors.

Using this system requires front and rear Park Distance Control, which triggers when you engage reverse and is active up to 12km/h. It will also warn you if you approach objects too closely at speeds between 6km/h and 60km/h.

The benefits

- Simplifies reversing out of parking spaces in unclear parking conditions
- Prevents collisions or reduces their consequences
- Increases driver safety

'Lane Assist' lane keeping system

The camera-based 'Lane Assist' lane keeping system detects lane markings on the road and keeps the Amarok within the lane. If the driver doesn't use a turn signal to indicate a lane change, the system issues a warning by vibrating the steering wheel or performs a minor steering intervention to bring the vehicle back into position.

The benefits

- Improved safety, especially when driving on motorways
- Reduced accident or collision risk in different traffic situations

Adaptive Cruise Control ACC/ACC 'stop & go'

Adaptive Cruise Control is a helpful feature that automatically keeps you at a safe distance from the vehicle in front of you, depending on the speed set. The sensors for this are located at the front of the Amarok and in the upper area of the windscreen. Operated using buttons on the steering wheel, it can be activated from 20km/h. And if you're stuck in traffic, you can also use 'stop & go', which lets Adaptive Cruise Control bring your car to a complete stop. The system then remains active for up to 30 seconds and then restarts the Amarok as soon as the vehicle in front starts moving.

The benefits

- Improved safety in various traffic conditions thanks to an adaptive driving style
- Helps maintain concentration on the road ahead

City Emergency Braking System with Pedestrian and Cyclist Monitoring

Automatic Autonomous Emergency Braking is an important feature of the Front Assist system. It provides an audible and visual warning if the front camera detects a potential collision. If the driver doesn't take action, the system will apply the brakes automatically.

The benefits

- A valuable aid in preventing collisions
- Helps avoid personal injury or damage to property

Electronic parking brake

The electronic parking brake replaces a conventional handbrake and is operated by a switch in the centre console of the Amarok. When engaged, it provides identical clamping forces to ensure safe parking, even on extreme slopes. If starting on a slope, the system can act as a dynamic parking brake to prevent the Amarok from rolling back.

The electronic parking brake can also be used in an emergency to continuously brake or stop the Amarok with ease. Simply pull the switch up and hold to activate. The system interprets this as an emergency braking situation. A red warning light comes on, a warning signal is emitted, and the brake lights are turned on while the switch is held.

The benefits

- Simple operation by a switch
- Easier starting on slopes
- Improved safety in emergency situations where hard braking is needed



Vehicles shown may not reflect UK specification.

Advanced airbag system with centre, curtain and knee airbags
All Amarok models come with various airbags to protect you in the event of a crash. These include front, knee, side and curtain airbags. In addition, there is a new centre airbag in the front, placed between the driver and passenger seats, that helps prevent them from colliding with each other in the event of an accident.

New driver assistance systems (continued)



Front Assist with warning and braking when vehicles, pedestrians and cyclists are detected

Autonomous Emergency Braking Front Assist uses a front camera for driver assist systems and front radar to detect imminent front collisions and to acoustically and visually warn drivers. In the event of danger, the system can even prepare the brakes for rapid braking, so that maximum braking force is generated with minimal pedal pressure. However, if a driver does not react to the warnings, Autonomous Emergency Braking Front Assist will automatically brake, bringing the Amarok to a standstill if necessary.

The Amarok also features swerve support, which helps drivers avoid collisions with stationary vehicles, pedestrians and cyclists by providing corrective steering intervention during a swerving manoeuvre. This adds an extra layer of safety for everyone on the road.

Front Assist works at speeds between 5km/h and 13km/h, and up to maximum speed in conjunction with Adaptive Cruise Control. Pedestrians are detected at speeds up to 80km/h.

The benefits

- An aid to help prevent potential collisions
- Helps avoid personal injury or damage to property

Speed limiter

The speed limiter can be used to set an individual maximum speed for the Amarok. This can be temporarily exceeded by firmly depressing the accelerator pedal. Once the vehicle drops below the set speed, the system is automatically reactivated.

The benefits

- Relaxed driving with less fatigue, especially on long journeys
- Help to potentially save fuel and reduce emissions, depending on the maximum speed set

'Side Assist' lane change system

Side Assist lane change system detects vehicles approaching your blind spot. Its radar sensors on the sides of the Amarok detect an area extending from the exterior mirrors to approximately 4 metres behind the bumper. When driving at speeds above approx. 48km/h, the system will warn you if a vehicle is approaching quickly within a range of up to approximately 18 metres. The warning is visually indicated by a constant light in the respective exterior mirror.

Side Assist lane change system is combined with Rear Traffic Alert as standard.

The benefits

- Prevent dangerous situations by checking blind spots
- Reduced accident risk caused by lack of attention when changing lanes

Intelligent Speed Assist

Intelligent Speed Assist is an intelligent predictive cruise control system that automatically adjusts the vehicle speed to the maximum speed detected on roads.

The system is an extension of Adaptive Cruise Control and uses the Dynamic Road Sign Display provided by the front camera to detect speed limits.

The benefits

- Helps avoid speeding violations and possible fines
- Keeps the Amarok at safe speeds to prevent collisions

'Area View' overhead view camera

The overhead view camera provides multiple views taken by cameras on all four sides of the Amarok. Selected on the infotainment display, they include a 360° overhead view. The function is automatically activated when the reverse gear is engaged.

The system provides a 360-degree view and helps with parking manoeuvres like parallel parking as well as obstructions and blind spots. It is also possible to display any traffic crossing in front of and behind the vehicle.

The benefits

- Helps detect obstacles early in unclear situations



Images shown are for illustrative purposes only.

Connected infotainment

At the cutting edge of the digital media age.

Online-capable as standard

The Amarok is equipped with the latest technologies as standard, which enable it to connect to the internet or a mobile network, and provide the user with access to a range of different functions.

Online Connectivity Unit (OCU) with built-in eSIM card

Serves as an access unit to the internet for the use of the vehicle-specific Volkswagen Commercial Vehicles mobile online services.

Apple CarPlay™ and Android Auto™

Both provide for the integration of Apple and Google smartphone apps into the infotainment system operated using the touch colour display (can also be used wirelessly).



The Amarok is online-capable as standard (illustration shows the Aventura equipment line). Images shown are for illustrative purposes only.

Amarok Style

An elegant all-rounder that never fails to impress with its wealth of additional design and comfort features.



Vehicles shown may not reflect UK specification.

Standard Equipment highlights of the Amarok Style.

Interior

- Carpet floor covering in cab
- Leather-wrapped multi-function steering wheel
- Glove compartment with illumination
- Sun visor on driver and front passenger side with illuminated vanity mirror
- Headliner (in Ebony Black)
- Gearshift/selector lever knob, leather
- 2 reading lights for driver and front passenger with glasses compartment in overhead console
- Ambient lighting
- 10-way power-adjustable driver seat and 8-way adjustable front passenger seat
- Driver seat with map pocket
- Dual-zone climate control
- ArtVelours microfleece fabric seats

Exterior

- 18" Amadora alloy wheels – silver
- Grille with chrome strip
- Body-coloured bumper in front
- Black bumper in rear
- Side step black with chrome insert
- Tie-downs on the cargo area
- Exterior finishes (black)
- Chrome styling bar
- Mudflaps (front and rear)
- Body-coloured rear gate handle
- Wing mirrors: heated, power adjustable and power folding
- Front fog lights with cornering function
- Front side windows in heat-reflecting glass with tinted windows in passenger compartment
- Heated windscreen

Infotainment Package

- Digital Cockpit 12" with colour screen
- Preparation for online services
- Infotainment: 12" with navigation
- DAB+ digital radio reception
- Inductive phone charging

Safety and Security

- Electronic Stability Control
- Lockable wheel bolts
- Child seat anchors ISOFIX on outer rear seats, i-Size compatible
- 3 head restraints in second row of seats
- 3-point belts, height adjustable in first row of seats
- Rear gate lockable via central locking system
- Central locking with radio remote control, interior controls with SAFELOCK
- Airbags incl. knee airbags for driver and front passenger and front passenger airbag deact. and child seat recognition
- Side and curtain airbags including centre airbag
- Anti-theft alarm system with interior monitoring, backup horn and towing protection
- Automatic Post-Collision Braking System
- eCall* Emergency System
- Warning signal and warning light for front and rear seat belts not fastened
- Autonomous Emergency Braking Front Assist with Pedestrian and Cyclist Monitoring

Functional Equipment

- Towbar preparation
- Fuel tank volume (80 litres)
- 230-V outlet in rear centre console
- 230-V outlet in load bay
- Electromechanical parking brake



Images shown are for illustrative purposes only.



Driver Assistance Systems

- Lane keeping system Lane Assist and lane change system Side Assist
- Park Distance Control in front and rear with manoeuvre braking
- IQ.LIGHT LED matrix headlamps
- Adaptive Cruise Control ACC and Dynamic Road Sign Display
- Rear view camera
- Remote control central locking system with keyless starting system
- Tyre pressure monitoring system

Service and Warranty

- 5 Plus Promise:**
- 5 Services + 3 MOTs**
- 5 Years' Warranty**
- 5 Years' Roadside Assistance**

* Connectivity of the Next-Generation "eCall" Emergency Call System ("NG eCall") is dependent on the availability of third-party services and may not be possible in some scenarios, including where telecommunications infrastructure is unable to receive or relay data transmitted by the vehicle. UK telecoms infrastructure is currently undergoing upgrades to enable compatibility with NG eCall and cannot fully support data transmitted via NG eCall until those upgrades are complete. NG eCall will operate in a limited capacity until that time and should not be relied upon exclusively in an emergency. For further information on system limitations please speak to your retailer.

** Covers first 5 consecutive services, limited to: 5 x Oil & Inspection Service with 2 x Pollen Filter, 3 x MOTs. Additional work, including wear and tear, is excluded. Warranty: earlier of 5 years or 124,000 miles. Servicing must be carried out in line with the requirements of the service schedule and all servicing and warranty work must be carried out at a Volkswagen Commercial Vehicle Authorised Repairer. Warranty exclusions apply (including shorter warranty period for components subject to wear and tear, mechanical adjustments (6 months/6,500 miles) and windscreen (1 month/600 miles). Roadside assistance: excludes costs of parts, garage, labour or other costs in excess of specified limits. Other limitations & exclusions apply. See Roadside Assistance Handbook for full details https://www.volkswagen-vans.co.uk/idhub/content/dam/onehub_nzf/importers/gb/downloads/roadside_assistance_handbook.pdf. Servicing & MOTs administered by Volkswagen Commercial Vehicle Financial Services. Warranty administered by Volkswagen Commercial Vehicles UK. Roadside assistance administered by AA.



Amarok PanAmericana

A distinctive and stylish outdoor specialist with strong off-road design, loaded with exclusive equipment features.

Vehicles shown may not reflect UK specification.

The Amarok	Safety and assistance systems	Infotainment and connectivity	Amarok Style	Amarok PanAmericana	Amarok Aventura	Wheels	Paint	Upholstery	Technical information	Price list and options
------------	-------------------------------	-------------------------------	--------------	----------------------------	-----------------	--------	-------	------------	-----------------------	------------------------

Standard equipment of the Amarok PanAmericana (in addition to Style).

Interior

- Cricket leather seats
- 10-way power-adjustable driver and front passenger seats

Exterior

- 18" Amadora alloy wheels – black
- Matt black styling bar
- Side step black
- Silver roof rails
- Contrast mirrors and door handles
- Body-coloured bumper in front, X-style

Infotainment

- Harman Kardon premium audio system with eight loudspeakers, inclusive of sub-woofer, and 640 watts output

Functional Equipment

- Differential lock in rear
- Underride guard
- LED cargo area lighting
- Comfort suspension system

Driver Assistance Systems

- 360 area view camera



Images shown are for illustrative purposes only.



Amarok **Aventura**

Our exceptional top-of-the-range lifestyle-oriented model, for stylish urban and off-road use. Setting new pick-up standards with its singular design, equipment details and unique pick-up feel.

Vehicles shown may not reflect UK specification.

Standard equipment of the Amarok Aventura (in addition to Style).

Interior	Infotainment
Savona leather seats	Harman Kardon premium audio system with eight loudspeakers, inclusive of sub-woofer, and 640 watts output
10-way power-adjustable driver and front passenger seats	
Heated steering wheel	
	Functional Equipment
Exterior	LED cargo area lighting
21" Varberg Alloy wheels – silver	Comfort suspension system
Silver roof rails	
Chrome-plated exterior mirror and door handles	
Body-coloured bumper in front, X-style	
Body colour rear styling bar	



Images shown are for illustrative purposes only.

Wheels



01 **18" Amadora Alloy Wheels**
7.5 x 18, spare wheel (alloy wheel) with original equipment tyre. 255 / 65 R18 tyres.
| S |

02 **18" Amadora Painted Black Alloy Wheels**
7.5 x 18, spare wheel (alloy wheel) with original equipment tyre. 255 / 65 R18 tyres.
| PA |

03 **20" Bendigo Alloy Wheels**
8 x 20, spare wheel (alloy wheel) with original equipment tyre. 83A: 255 / 55 R20 110V tyres.
| S | PA |

04 **21" Varberg Alloy Wheels**
8.5 x 21, spare wheel (alloy wheel) with original equipment tyre. 275 / 45 R21 110V tyres.
| A |

Standard Optional at extra cost | S | Style | PA | PanAmericana | A | Aventura

Detailed information regarding tyre efficiency labelling and technical specifications on all potential tyre fitments can be found by visiting the Volkswagen Commercial Vehicles online car configurator at www.volkswagen-vans.co.uk/en/configurator.html

Paint



01



02



03



04



05



06



07



08

Solid paint
01 Clear White

Metallic paint
02 Bright Beige
03 Deep Red
04 Midnight Black
05 Bright Blue
06 Medium Silver
07 Dark Grey
08 Reed Green

Upholstery



Style. 'Style' centre seat panel in 'ArtVelours' microfleece



PanAmericana. 'Cricket' leather seats



Aventura. 'Savona' leather seats

Model/feature	Style	PanAmericana	Aventura
'Style' centre seat panel in 'ArtVelours' microfleece	●		
'Cricket' leather		●	
'Savona' leather			●

● Standard equipment ○ Optional equipment

Images shown are for illustrative purposes only.

Engine and gearbox data

Engine specifications	240PS 3.0 TDI 10sp Automatic 4MOTION
Fuel type	Diesel
Mixture preparation/injection method	Common rail direct injection
EU exhaust emission standard	LDT ST6.2
Number of cylinders	V6
Cubic capacity	2.993ccm
Output, PS at rpm	
Torque, max. Nm at rpm	600
Fuel tank capacity	80 litre
10-speed automatic	●
All-wheel drive	●
Alternator	250 A

● Standard ○ Available – Not available

Fuel consumption, performance and emissions

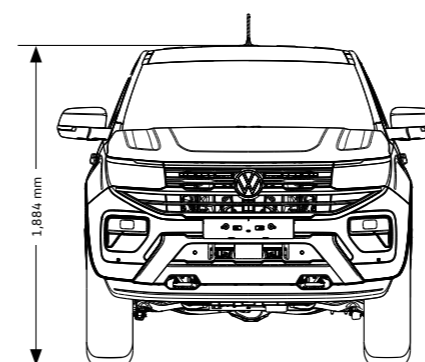
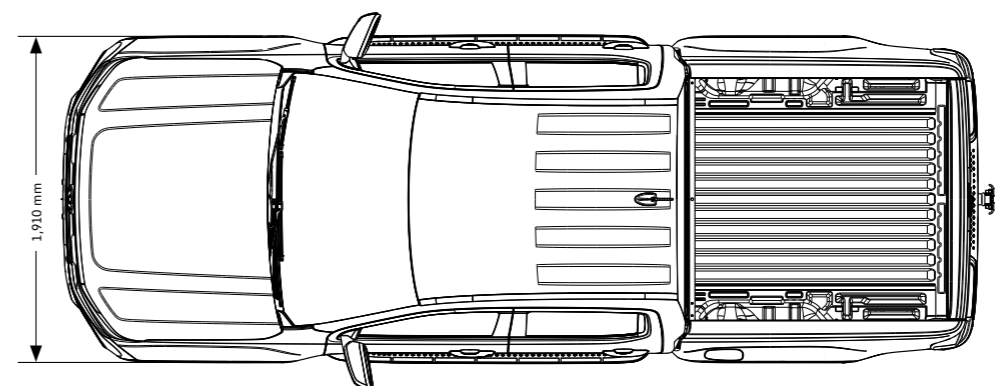
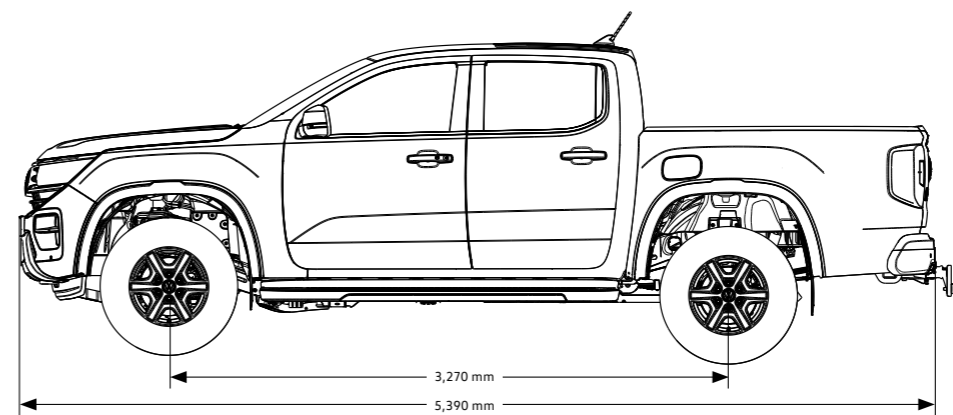
Engine/transmission	RDE2 Compliant	Combined CO ₂ emissions, g/km ¹ , Max. (worst case) Combined CO ₂ emissions, g/km ¹ , Min. (best case)	Combined fuel consumption mpg ¹ , Min. (worst case) Combined fuel consumption mpg ¹ , Max. (best case)	Combined fuel consumption (ltr/100km) ¹ , Max. (worst case) Combined fuel consumption (ltr/100km) ¹ , Min. (best case)	Acceleration, seconds 0 - 62mph	Top speed, mph (where law permits)
Amarok Style						
Style 240PS 3.0 TDI 10sp Automatic 4MOTION	Yes	277 - 270	26.9 - 27.4	10.2 - 10.1	8.8	112
Amarok PanAmericana						
PanAmericana 240PS 3.0 TDI 10sp Automatic 4MOTION	Yes	282 - 271	26.4 - 27.4	10.3 - 10.1	8.8	112
Amarok Aventura						
Aventura 240PS 3.0 TDI 10sp Automatic 4MOTION	Yes	280 - 269	26.4 - 27.4	10.3 - 10.1	8.8	112

¹ Figures shown are for comparability purposes; only compare fuel consumption and CO₂ figures with other vehicles tested to the same technical procedures. These figures may not reflect real life driving results, which will depend upon a number of factors including the accessories fitted (post-registration), variations in weather, driving styles and vehicle load. Data correct at 1.10.2025. Figures quoted are for a range of configurations (including non-UK) and are subject to change due to ongoing approvals/changes. Please consult your authorised Volkswagen Van Centre for further information.

RDE2 refers to Real Driving Emissions Step 2.

Dimensions

Approach angle	30° Grad
Departure angle	23° Grad
Ramp angles	21° Grad
Wheelbase	3,270mm
Turning circle	12.9m
Vehicle length min.	5,350mm
Vehicle length max.	5,390mm
Vehicle width without mirrors min.	1,910mm
Track for steered axle rear max.	1,620mm
Height max.	1,884mm
Load bed - length	1,624mm
Load bed width	1,584mm
Load bed width between wheel arches	1,227mm
Max. headroom in first row of seats	1,040mm
Effective headroom in second row of seats	989mm
Inside width (first row) 4-door	1,526mm
Inside width (second row) 4-door	1,515mm



Weights

Trim	Options	Gross vehicle weight, kg	Axle load limit front / rear, kg	Trailer weight braked 12% / unbraked, kg	Gross train weight, kg	Kerb weight, kg	Payload, kg	Roof rails, kg
Style	-	3,350	1,490 / 1,959	3,500	6,500	2,300	1,050	85
Style	ZOT - 20" Bendigo alloy wheels	3,350	1,490 / 1,959	3,500	6,500	2,320	1,030	85
Style	W55 - Towing pack including diff lock	3,350	1,490 / 1,959	3,500	6,500	2,334	1,016	85
PanAmericana	-	3,350	1,490 / 1,959	3,500	6,500	2,312	1,039	85
PanAmericana	ZOT - 20" Bendigo alloy wheels	3,350	1,490 / 1,959	3,500	6,500	2,321	1,029	85
PanAmericana	W56 - Towing pack	3,350	1,490 / 1,959	3,500	6,500	2,350	1,000	85
Aventura	-	3,190	1,490 / 1,785	3,500	6,400	2,324	866	85
Aventura	W55 - Towing pack including diff lock	3,190	1,490 / 1,785	3,500	6,400	2,362	828	85

Quoted weights are for vehicles with standard specification.
 Kerb weight includes 90% fuel load with no driver or passengers. Payload is Gross vehicle weight minus Kerb weight.
 Kerb weight and payload may be influenced by trimline, factory options and Van Centre fitted accessories.
 Roof load limit: 100kg (with two roof carriers) or 150kg (with at least four roof carriers). Trailer nose weight: 100kg.
 RDE2 refers to Real Driving Emissions Step 2



Model prices

Image shown is for illustrative purposes only. Vehicle shown is not UK specification.

5 PLUS PROMISE

5 SERVICES + 3 MOTs

5 YEARS' WARRANTY

5 YEARS' ROADSIDE ASSIST

* Manufacturer's on the road (OTR) package

Delivery to Dealer	£835.00
Number plates	£20.00
VAT	£171.00
Road Fund Licence (12 months)	£360.00
First registration fee	£55.00
Basic OTR price (exc. VAT)	£1,270.00
Total OTR price (inc. VAT)	£1,441.00

Model prices (continued)

Trimline	Engine/transmission	RDE2 Compliant	Fuel type	Basic exc. VAT	Total inc. VAT	Total RRP inc. OTR* exc. VAT	Total RRP inc. OTR* inc. VAT
Amarok Style							
	Style 240PS 3.0 TDI 10-Speed Automatic 4MOTION	Yes	Diesel	£46,870.00	£56,244.00	£48,140.00	£57,685.00
Amarok PanAmericana							
	PanAmericana 240PS 3.0 TDI 10-Speed Automatic 4MOTION	Yes	Diesel	£49,270.00	£59,124.00	£50,540.00	£60,565.00
Amarok Aventura							
	Aventura 240PS 3.0 TDI 10-Speed Automatic 4MOTION	Yes	Diesel	£50,120.00	£60,144.00	£51,390.00	£61,585.00

* Please [click here](#) for more details on manufacturer's on the road (OTR) package.

Volkswagen Commercial Vehicles may change RRP's at any time (this includes where there are government changes in regulation and/or legislation). There may be a delay to any RRP displaying correctly on our materials. Always obtain prices from your chosen authorised Van Centre.

1 Figures shown are for comparability purposes; only compare fuel consumption and CO2 figures with other vehicles tested to the same technical procedures. These figures may not reflect real-life driving results, which will depend upon a number of factors including the accessories fitted (post-registration), variations in weather, driving styles and vehicle load. Data correct as of 01.04.2026. Figures quoted are for a range of configurations (including non-UK) and are subject to change due to ongoing approvals/changes. Please consult your authorised Volkswagen Van Centre for further information.

Optional equipment



Image shown is for illustrative purposes only. Vehicle shown is not UK specification.

[The Amarok](#)

[Safety and assistance systems](#)

[Infotainment and connectivity](#)

[Amarok Style](#)

[Amarok PanAmericana](#)

[Amarok Aventura](#)

[Wheels](#)

[Paint](#)

[Upholstery](#)

[Technical information](#)

[Price list and options](#)

Options

Paint	PR code	Style		PanAmericana		Aventura	
		Basic exc. VAT	Total RRP inc. VAT	Basic exc. VAT	Total RRP inc. VAT	Basic exc. VAT	Total RRP inc. VAT
Solid. Clear White (2E2E).	As shown	○	○	○	○	○	○
Metallic. Bright Blue (4R4R), Bright Beige (7I7I), Dark Grey (8I8I), Deep Red (9I9I), Medium Silver (3W3W), Midnight Black (6P6P), Reed Green (8P8P).	As shown	£530.00	£636.00	£530.00	£636.00	£530.00	£636.00
Option pack content by trim level							
20" Bendigo Alloy wheels. Alloy wheels 'Bendigo' 8 x 20, spare wheel (alloy wheel) with original equipment tyre (ZOT), 255 / 55 R20 110V tyres (83A). Cannot be ordered in combination with W55/W56 towing packs.	ZOT	£875.00	£1,050.00	£875.00	£1,050.00	-	-
Towing pack including diff lock. Trailer hitch (1D1), Trailer hitch, 13-pin (IP4), Differential lock in rear (1Y4), Lane keeping system, Lane Assist and lane change system, Side Assist with trailer support (79F), Assistance package 6 in combination with trailer hitch (K58). Cannot be ordered in combination with 20" Bendigo Alloy wheels (ZOT) on Style trim.	W55	£1,280.00	£1,536.00	-	-	£1,280.00	£1,536.00
Towing pack. Trailer hitch (1D1), Trailer hitch, 13-pin (IP4). Cannot be ordered in combination with 20" Bendigo Alloy wheels (ZOT).	W56	-	-	£845.00	£1,014.00	-	-

● Standard – Not available ○ At no extra cost

Where additional equipment is required by chosen options, this will be at additional cost. See the relevant option for recommended pricing or consult your local authorised Van Centre. Some options may not be compatible with other options. To check the availability of your chosen options, please use our configurator or consult your local authorised Van Centre.

Please note: Not all paint and upholstery combinations can be ordered together and in some instances certain combinations may incur extra cost. Not all paint finishes may be available for every trimline. Please check details and availability with your Volkswagen Van Centre at the time of ordering.

Volkswagen Commercial Vehicles may change RRP's at any time (this includes where there are government changes in regulation and/or legislation). There may be a delay to any RRP displaying correctly on our materials. Always obtain prices from your chosen authorised Van Centre.

The Amarok

This brochure supersedes all previous publications.

Issue: 08 May 2026

www.volkswagen-vans.co.uk

Please note: Screen technology does not allow exact reproduction of the paint and upholstery colours. Some of the vehicles shown are European specification and may be fitted with optional equipment or accessories that are available at extra cost, or do not reflect current specification. All data and specifications are in accordance with information available at the time of publication and are subject to change without notice. Vehicles not currently in UK stock and customer order vehicles may take a number of weeks for delivery. Certain combinations of vehicle specifications and factory-fitted options are not compatible and therefore all orders received are subject to confirmation. Models, factory fitted-options and paint and upholstery options are subject to availability. Please check details and availability with an authorised Volkswagen Van Centre at the time of ordering.